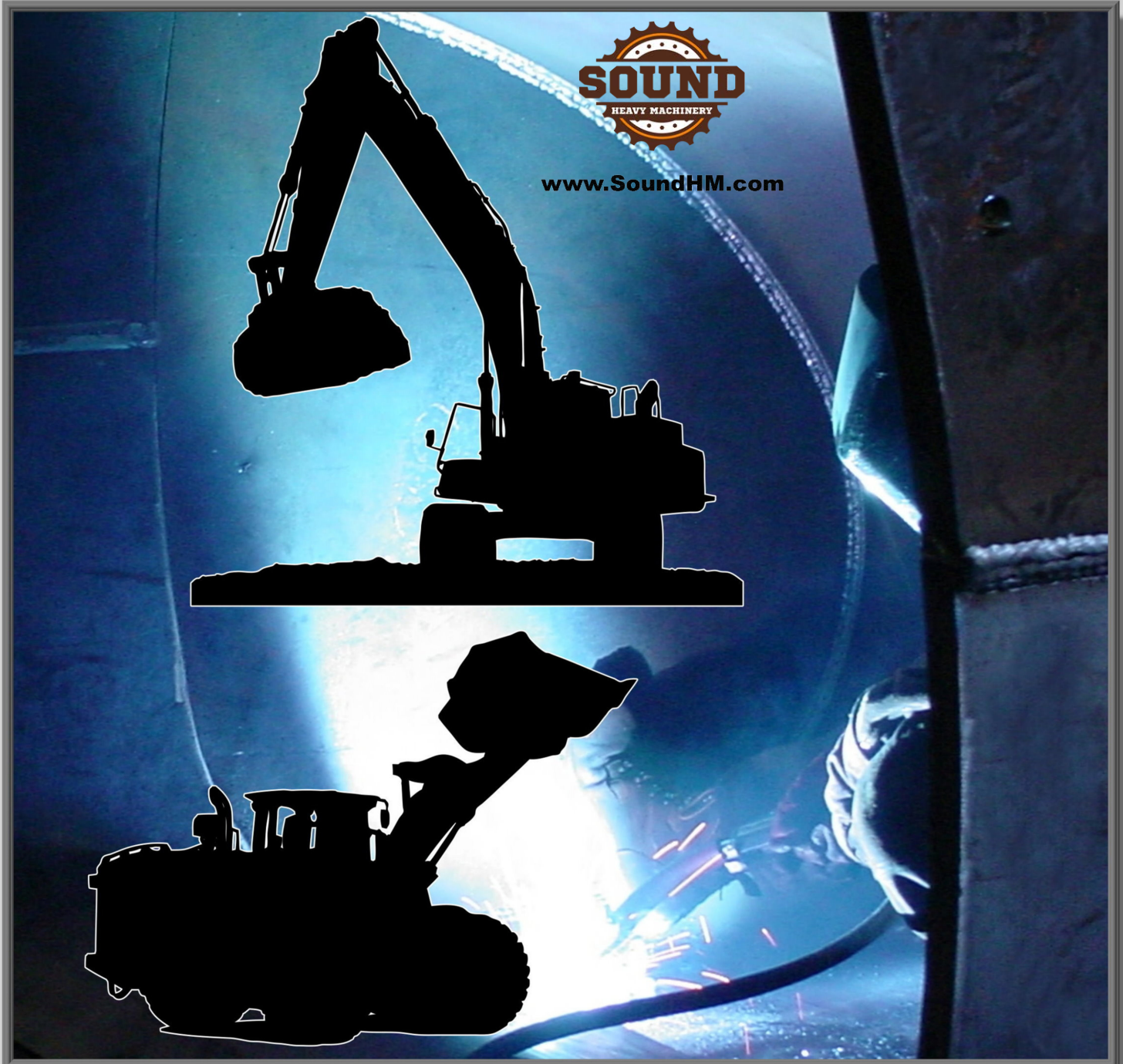




# WE'RE IT.

Product Guide  
Edition 8 • Volume 1



[www.SoundHM.com](http://www.SoundHM.com)



**TAG Manufacturing, Inc. • Chattanooga, TN 37416**

<https://tagmfg.us>



# Rubber Tire Tractor Loader Buckets



**Heavy-Duty Deere OEM Style  
Rear Backhoe Buckets**  
Available For Most Other Manufactures



**Heavy-Duty Case OEM Style  
Rear Backhoe Buckets**  
For Case Rubber Tire Loader Backhoes



**Heavy-Duty " Ford Style "  
New Holland Buckets**  
For Rubber Tire Loader Backhoes



**Severe Duty " V - Bottom " Buckets**  
For Rubber Tire Loader Backhoes



**Rail Road Cribbing Buckets  
and Main Pin RR Thumbs**  
For Rubber Tire Loader Backhoes



**Ditching Buckets**  
For Rubber Tire Loader Backhoes



**TAG Manufacturing, Inc. • Chattanooga, TN 37416**

<https://tagmfg.us>



# Manual Quick Couplers and Quick-Coupler Buckets

## Adjust-A-Hook™

### Quick-Coupler

US Patent No. 7,866,935

All Rights Reserved

Mini Excavators Up to 18,000 lbs.  
and Rubber Tired Loader Backhoes

Offered In Our QC27, QC30  
Series Couplers • 100% Compatible  
With All QB27, QB30 Buckets

Cast High-Strength  
Alloy Center Increases  
Strength 50%



Simple Turn-of-a-Bolt Adjustment

Offers Quick and Easy Adjustments to the Wear Areas of the Coupler

### Standard Non-Adjustable Couplers

QC27, QC30 Series Couplers  
2,500 lbs. to 18,000 lbs. Mini Excavators  
And Rubber Tire Loader Backhoes



QC33/35  
QC38/40  
Series Couplers  
Large RTL's and  
20,000 lbs.  
to 45,000 lbs.  
Excavators



**TAG Manufacturing, Inc. • Chattanooga, TN 37416**

<https://tagmfg.us>



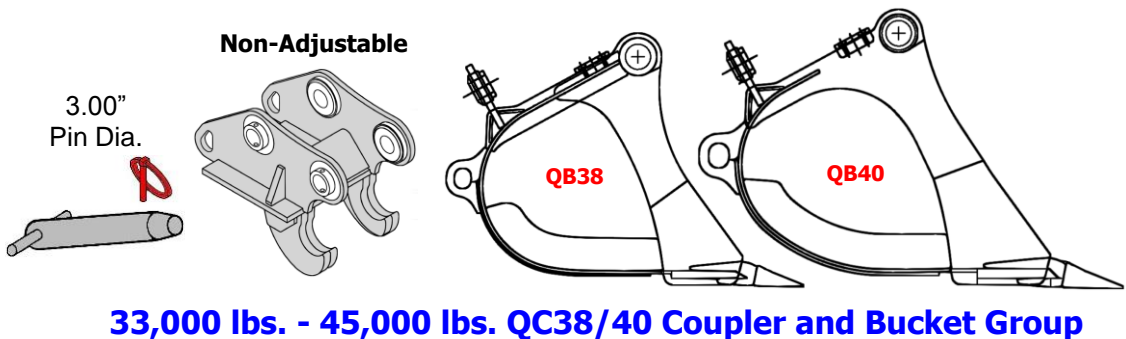
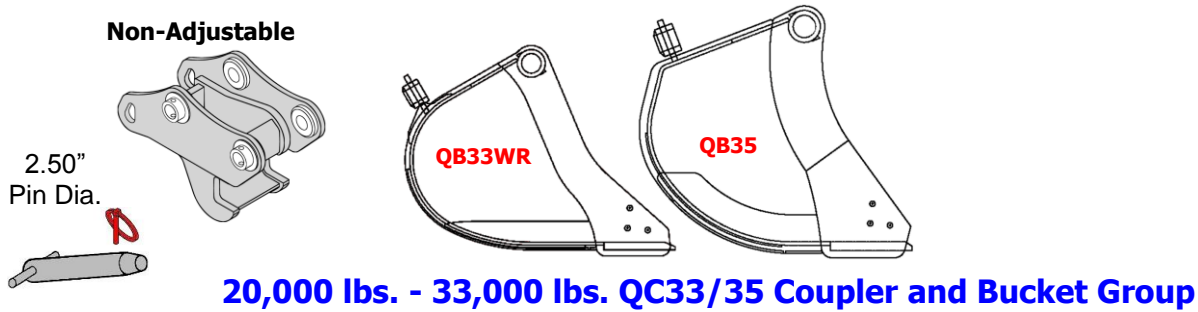
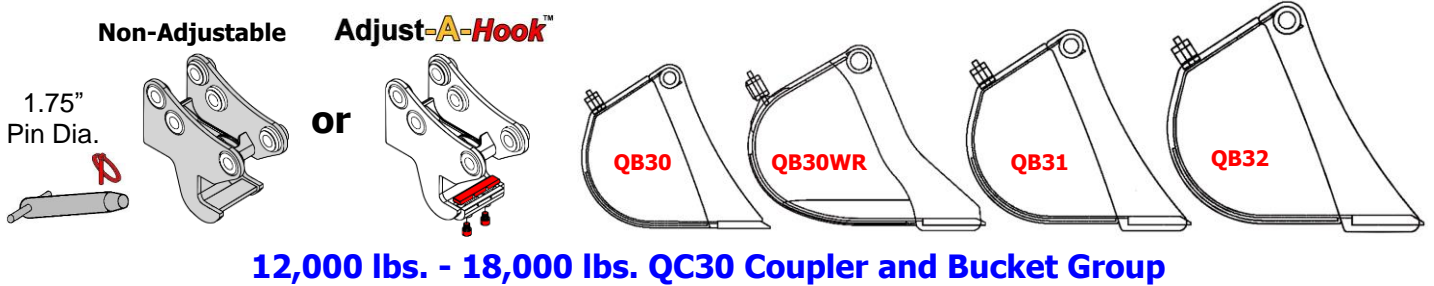


# Manual Quick Couplers and Quick-Coupler Buckets

Available for Mini & Large Excavators Up to 45,000 lbs. and Rubber Tire Loader Backhoes

- One Pin Simple and Fast Hook-Up With Low Profile Optimizes Digging Forces

Larger Tube Wall Thickness Increases Strength 50%



**TAG Manufacturing, Inc. • Chattanooga, TN 37416**

<https://tagmfg.us>



# ***TAG Quick Coupler Tilting Ditching Buckets and Auger Attachment***

**Available for Mini Excavators RTL Backhoes**



**Includes a Standard Load Check Valve To " Lock @ Any Angle "**



Atypical Reference Attachments  
Not Furnished By  
TAG Manufacturing, Inc.

## **TAG Quick-Coupler Auger Attachment**

**Available With Most Industry Standard Auger Top Hook-Up / Pin-Up**

**TAG Manufacturing, Inc. • Chattanooga, TN 37416**

<https://tagmfg.us>





## ***TAG Mini Excavator Buckets***

**1,500 lbs. to 18,000 lbs.**



**Mini Excavation Buckets Are Available In Various Widths and Available With Several Teeth Options**

**Ditching Buckets Are Available As Smooth Lip, or Optional Bolt-On Cutting Edge**



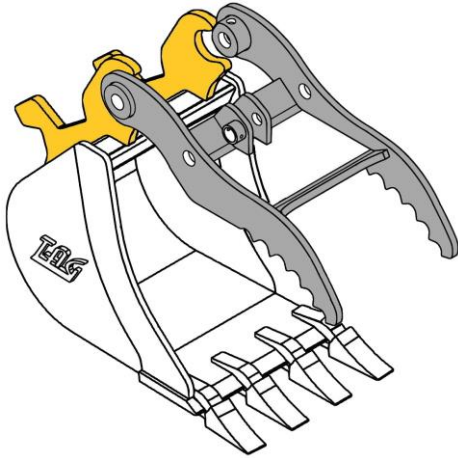
**TAG Manufacturing, Inc. • Chattanooga, TN 37416**

<https://tagmfg.us>



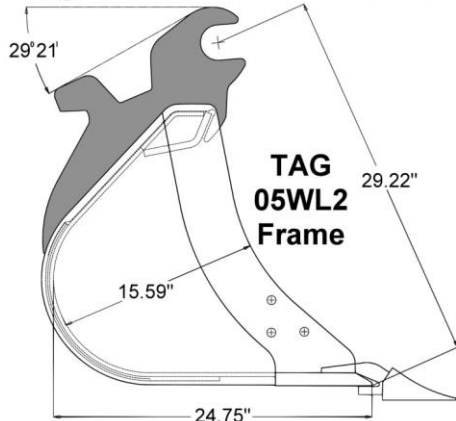
# Deere-Hitachi Wedgelok Coupler Buckets and Main-Pin Hydraulic Thumbs

For Deere-Hitachi 17, 26, 27,  
30, 35, 50 & 60 Series CWP Excavators  
Available in Excavation and Ditching Style

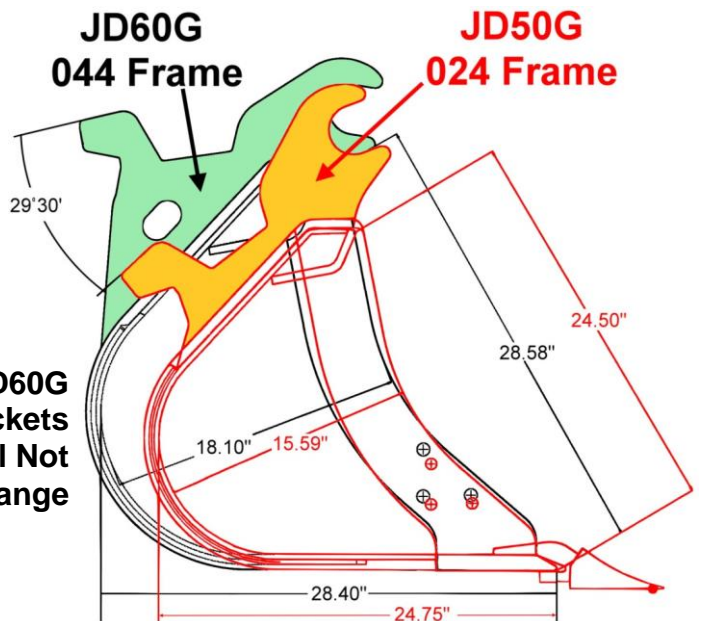


**TAG Deere CWP Main-Pin Hydraulic  
Thumbs Includes Cylinder That  
Fits OEM Cylinder Brackets  
and Includes Hose Group**

**JD26, JD27, JD30 & JD35  
Wedgelok Buckets Will Interchange**



**JD50G / JD60G  
Buckets  
Will Not  
Interchange**



**TAG Manufacturing, Inc. • Chattanooga, TN 37416**

<https://tagmfg.us>



# Specialty Mini Excavator and RTL Buckets & Attachments



### Coral Rock Buckets

Mini Excavators • RTL Backhoes  
Severe-Duty • H. D. Cutting Edges



### Heavy Duty Single Shank Rippers

Excavators 1,500 lbs. to 20,000 lbs. • RTL Backhoes



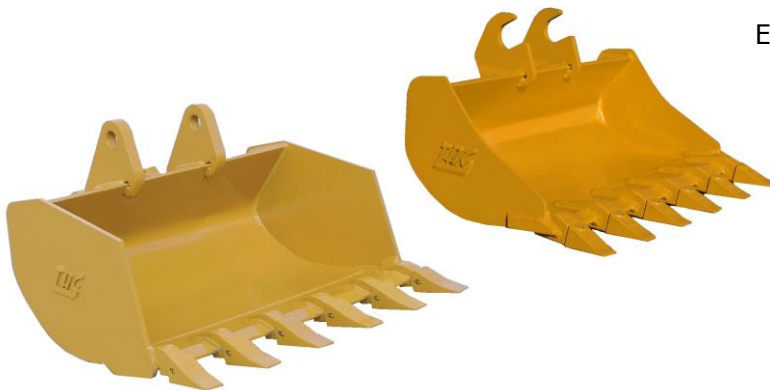
### Kubota Style Quick-Coupler Buckets

Compact Excavators



### Trapezoidal Ditching Buckets

Excavators 6,000 lbs. to 18,000 lbs. • RTL Backhoes



### Cemetery " Bell-Hole " Buckets

Compact Excavators & RTL Backhoes  
Pin-On, TAG QC, Deere Wedgelok Coupler  
and Kubota Coupler



### Universal Top Mounts

Pin-On, TAG QC, Deere Wedgelok Coupler  
and Kubota Coupler  
For Breakers, Mowers, and Grinders



**TAG Manufacturing, Inc. • Chattanooga, TN 37416**

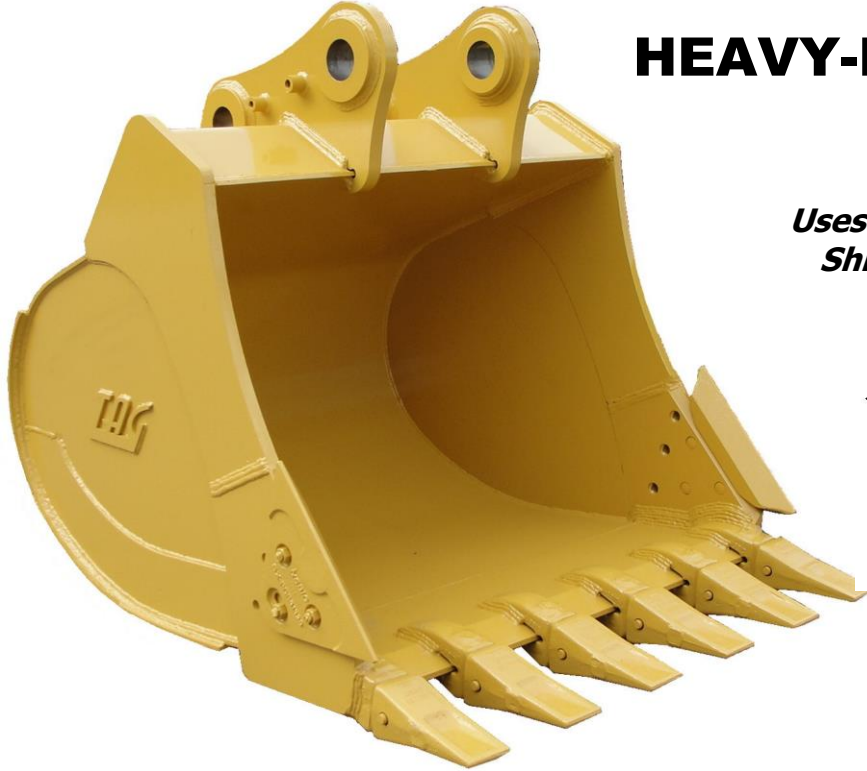
<https://tagmfg.us>



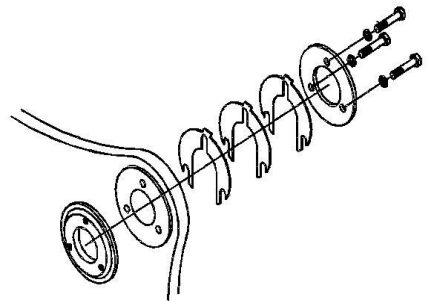


# **Heavy-Duty and Severe-Duty Excavator Buckets**

## **HEAVY-DUTY**



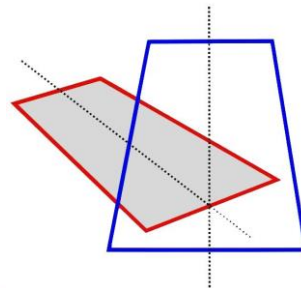
**Play-Adjustment**  
**Uses Thumb-Tab "Horse-Shoe"**  
**Shims To Make Adjustments**



## **SEVERE-DUTY**



**Double Radius**  
**Dual Tapered Profiles**  
**Bottom To Top Taper**  
**Front to Rear Taper**



**TAG Manufacturing, Inc. • Chattanooga, TN 37416**

<https://tagmfg.us>



***Super Extreme Duty  
Mining and Mass-X™  
Buckets***



Series

**Extra Thickness Plates,  
Cast Alloy Heel Plates  
And Vertical Shrouds  
Rear AR450 Wear Strips**



**MASSX™**

**Elongated High Capacity Profile  
AR450 Construction  
Offers a Lighter Bucket Weight  
For MAX Production**

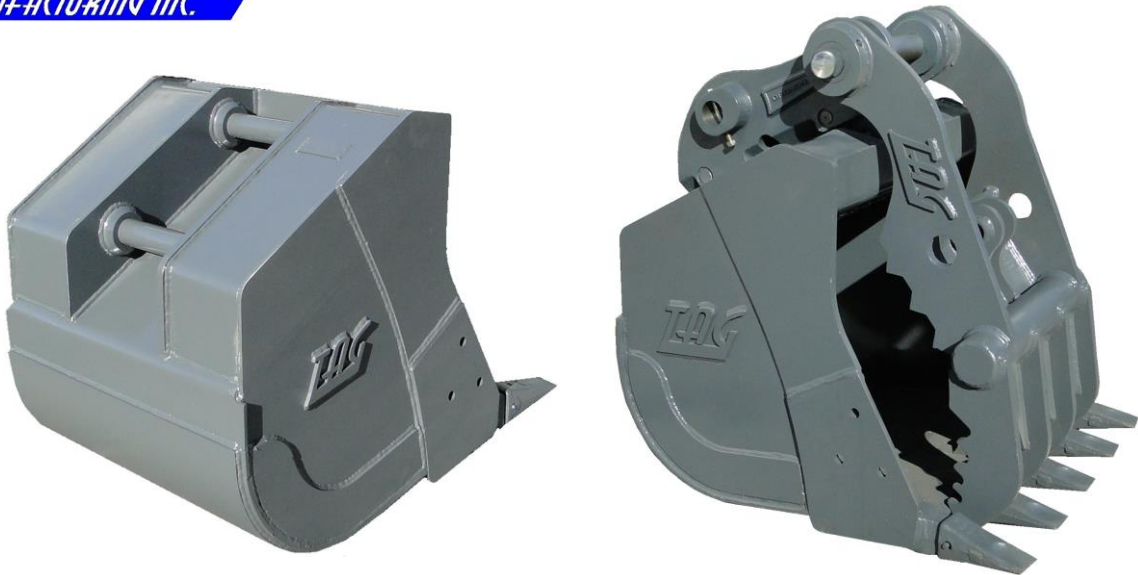


**TAG Manufacturing, Inc. • Chattanooga, TN 37416**

<https://tagmfg.us>



# **Excavator Specialty Buckets And Attachments**



## **Integral Pin Low-Profile Heavy-Duty Quick-Coupler Buckets**

Excavators 24,000 lbs. to 60,000 lbs.



## **Universal Top Mounting Brackets**

Excavators 24,000 lbs. to 160,000 lbs.



Atypical Reference Attachments  
Not Furnished By  
TAG Manufacturing, Inc.



**TAG Manufacturing, Inc. • Chattanooga, TN 37416**

<https://tagmfg.us>



# Excavator Specialty Buckets And Attachments



**" Duck-Bill " Teeth Buckets**  
Additional " Duck-Bill / Flared Teeth "



**Severe Duty " Rock-Ripping " Buckets**  
Excavators 40,000 lbs. to 120,000 lbs.



**Heavy Duty Skeleton Buckets**  
Excavators 14,000 lbs. to 120,000 lbs.



**Saber Tooth Stump Shear**  
Excavators 33,000 lbs. to 120,000 lbs.



**TAG Manufacturing, Inc. • Chattanooga, TN 37416**

<https://tagmfg.us>



# ***Excavator Specialty Buckets And Attachments***



## **Super-Wide Heavy Duty Ditching Buckets**

Large Excavators with Standard and Long Fronts



## **Aquatic Ditching Buckets**

Large Excavators with Standard and Long Fronts



## **Volvo® S1, S2, S3, and S6 SQF Buckets**

Large Excavators & Wheeled Excavators



**TAG Manufacturing, Inc. • Chattanooga, TN 37416**

<https://tagmfg.us>



# Excavator Specialty Buckets And Attachments

Direct Pin-On or Used With a Pin-Grabber Quick-Coupler



Shown Is a Hydraulic Grapple Mounted In a Coupler



**3 Over 2 and 4 Over 3 Grapples Hydraulic, or Manual**

Mini To Large Excavators 8,000 lbs. to 100,000 lbs.

**Heavy Duty Excavator Grapple Rakes**

Excavators 24,000 lbs. to 120,000 lbs.



**Designed For Use With Quick-Couplers**

Easy Attachment Installation Requires No Welding and Includes Coupler Mounting Pins

Excavators 30,000 lbs. to 100,000 lbs.

**Fully Independent Mantis™ Thumbs**

Allows Clamping of Uneven Loads



**TAG Manufacturing, Inc. • Chattanooga, TN 37416**

<https://tagmfg.us>



# Excavator Specialty Buckets And Attachments



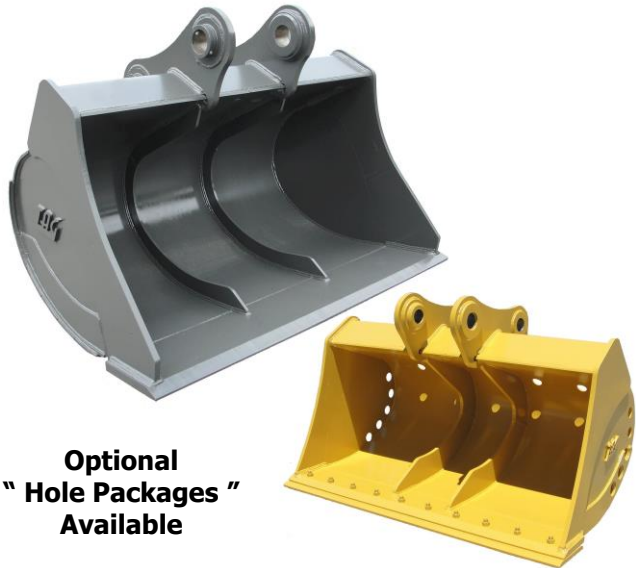
### Pavement Removal Tools

Excavators 12,000 lbs. to 120,000 lbs.



### Heavy Duty Single Shank Ripper

Excavators 24,000 lbs. to 120,000 lbs.  
Fabricated from A514 " T-1" Alloy Steel



Optional " Hole Packages " Available

### Ditching Buckets

24,000 lbs. to 80,000 lbs.  
Standard and Long-Reach



### Trapezoidal Buckets

Excavators 24,000 lbs. to 80,000 lbs.  
Available In Several Slopes Ratios  
and With Bolt-On Edge



**TAG Manufacturing, Inc. • Chattanooga, TN 37416**

<https://tagmfg.us>



# Mini and Large Excavator Pin-Grabber Manual and Hydraulic Quick Couplers



## Mini Excavator Manual Pin-Grabber Quick-Coupler

Sturdy " Spring-Latch " Pin-Grabber Coupler Offers Broad Versatility  
Mini's 4,000 lbs. - 18,000 lbs. • JD710 Rubber Tire Backhoe



## Manual Screw Pin-Grabber Quick-Coupler

Strong, Uncomplicated " Slide " Coupler With Robust Straight Tread Screw That Moves the Locking Jaw to Un-Lock and Lock Attachments Quickly  
Excavators 24,000 lbs. to 40,000 lbs.



## Auto-Lock Hydraulic Pin-Grabber Quick-Coupler

Attachments are Safely Released and Secured from Inside the Cab  
Auto-Lock Hydraulic Quick-Couplers Have a Redundant Hydraulic Check-Valve on the Internal Actuating and Locking Cylinder that Increases the Securing of the Attachment  
Superior Breakout Forces With Industry Leading Low Vertical Profiles and Horizontal Offsets  
Excavators 24,000 lbs. to 180,000 lbs.

**In-Cab Visual Prop-Lock**



**In-Cab Controls**



**Load Check Valve**

**Un-Locking & Locking Procedure:** All Controls are Cab-Mounted. Simple Procedures to Unlock the Safety Prop-Lock and Locking-Lever to Disengage the Attachment.. The Coupler is Rotated Out and In of the Attachment to Dis-engage, or Re-engage Attachments. Locking the Attachment is a Reverse Procedure and with the Double Redundancy of the Visual Prop-Lock and a Hydraulic Cylinder Load Check Valve Securing the Attachment



**TAG Manufacturing, Inc. • Chattanooga, TN 37416**

<https://tagmfg.us>





# Mini and Large Excavator Hydraulic Pin-Grabber Multilock Quick Couplers

## Hydraulic Multilock Pin-Grabber Quick-Coupler 8,000 lbs. - 90,000 lbs.



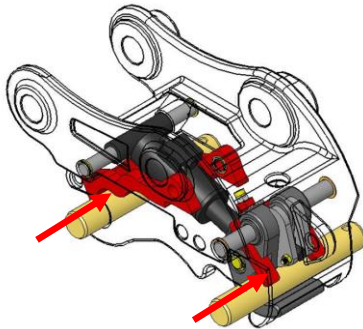
**DROMONE**  
intelligent:innovation  
**Multilock MQC™**

**MAXIMUM RANGE**  
of Attachment Pick-Up  
Covering a Large Variety  
of Different Manufacturer's  
Attachments and With  
Different Pin Diameters and  
Different Pin-Centers



**Fully Compliant: EU474, AS.4772-2008, ISO 13031 & 9001**

- Attachments are Safely Released and Secured from Inside the Cab
- Multilock Hydraulic Quick-Couplers Have a Redundant Hydraulic Check-Valve on the Internal Actuating and Locking Cylinders that Increases the Securing of the Attachment
- Superior Breakout Forces With Industry Leading Low Vertical Profiles and Horizontal Offsets



**In-Cab Visual Locking Mechanisms**

**Both the Front and Rear Attachment Pins Are Independently Mechanically Locked Throughout the Full Operating Cycle**

**And Are Hydraulically Released Separately**

**Load Check Valve**



**In-Cab Controls**



**Un-Locking & Locking Procedure:** All Controls are Cab-Mounted. Simple Procedures to Unlock the Safety Prop-Lock and Locking-Lever to Disengage the Attachment. The Coupler is Rotated Out and In of the Attachment to Dis-engage, or Re-engage Attachments. Locking the Attachment is a Reverse Procedure and with the Double Redundancy of the Visual Locking Mechanisms and a Hydraulic Cylinder Load Check Valve Securing the Attachment



**TAG Manufacturing, Inc. • Chattanooga, TN 37416**

<https://tagmfg.us>



# Heavy-Duty Weld-On Manual Thumbs

## Track-N-LOCK™



### Stick-Mounted Design

2,500 lbs. to 80,000 lbs.  
Link Always Stays  
"In-the-Track"  
and Folds the Thumb  
Extremely Flat Against  
Dipperstick When  
Not In Use



### Main-Pin Design

24,000 lbs. to 80,000 lbs.  
Offers the Advantages  
of a Main-Pin Thumb,  
Keeping the Thumb  
In the Same Arc of Contact  
With a Bucket / Rake  
But Without the Hydraulics



### Y-Yoke Rigid Thumbs for Mini Excavators

2,500 lbs. to 16,000 lbs.



### Y-Yoke Rigid Thumbs for Large Excavators

24,000 lbs. to 80,000 lbs.

**TAG Manufacturing, Inc. • Chattanooga, TN 37416**

<https://tagmfg.us>





# Mini, RTL Backhoe And Excavator Hydraulic Thumbs

## Weld-On Stick Mounted Hydraulic Thumbs

2,500 lbs. to 80,000 lbs. Mini and Large Excavators / RTL Backhoes

*Not Designed For Use With Quick-Couplers*

**Standard  
Two Finger Design**  
Recommended For  
All Applications



**Weld-on Hydraulic Thumb Rotation**  
Approx. 120° Rotation



**Custom  
Matched Design**  
24,000 lbs. to 80,000 lbs.  
Available In Limited  
Bucket Widths

## Mini Excavator / RTL Backhoe Main-Pin Hydraulic Thumbs

2,000 lbs. to 20,000 lbs.

Many Applications Are a Direct Fit and Work With Factory Brackets and Auxiliary Lines

Broad Two Finger Design Offers  
Excellent Clamping Forces

Thumb Bodies Are Extended  
for Pin-Grabber Quick-Couplers



**TAG Manufacturing, Inc. • Chattanooga, TN 37416**

<https://tagmfg.us>



# Heavy Duty Main-Pin Thumbs

24,000 lbs. to 100,000 lbs.

Main-Pin Hydraulic Thumb

# QUICK-Link™

Main-Pin Hydraulic Thumb  
With Unitized Links and Cylinder Assembly



Maximum Range of Rotation  
from 165°, Up to an Industry  
Leading 205° of Rotation

Main-Pin Thumb Rotation  
Approx. 120° Rotation

Either Thumb Design Is Available With  
Extended Length for Quick-Couplers



TAG Manufacturing, Inc. • Chattanooga, TN 37416

<https://tagmfg.us>



# Heavy Duty Wheel Loader Hydraulic Quick-Couplers

**Full Range of Applications for RTL Backhoes, Compact, To Large Wheel Loaders**

### Available QC Hook-Ups

- **JRB® " E " Series**
- **JRB® 580 Series**
- **JRB® 84 Series**
- **JRB® 416 Series**
- **JRB® 418 Series**
- **JRB® 420 Series**
- **JRB® 422 Series**
- **CAT® IT12-IT28**
- **CAT® IT38**
- **Balderson Series**
- **Volvo® L25-L30**
- **Volvo® L35-L45**
- **Volvo® ISO L50-L120 ~**
- **John Deere™ " Hi-Vis " ~**  
~ Same Attachment Pick-Up
- **Volvo® L150-L220**
- **John Deere™ " Work-Pro "**
- **Komatsu® " WB Series "**
- **Komatsu® Compact QC**
- **ACS® 1000 – Pro 2000**
- **Hyundai® Series**



Includes Machine Specific  
O.E.M. Interface Hydraulic Kit

**" Combo " Applications Available  
To Have a Base Machine " Pick-Up " Another  
Manufacture's Attachments**

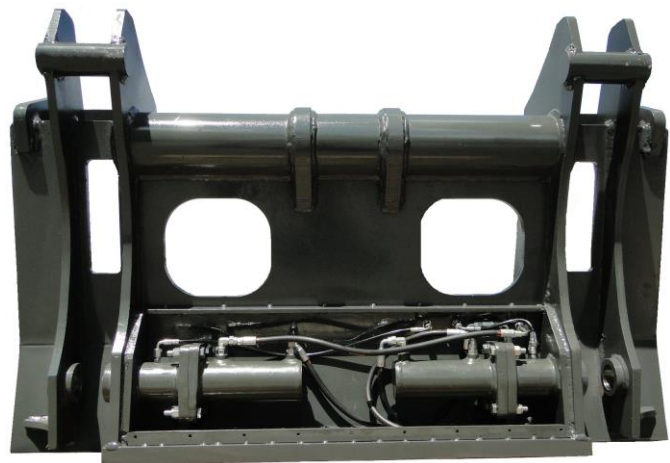
## TAG XTREME-DUTY™

**Twin-Cylinder Design  
Couplers For the Most  
Demanding Applications**

**Class 300 to 800 Loaders**

**Also Recommended For  
Volvo ISO, or Deere Hi-Vis Loaders  
Plus All Forestry, Mulch,  
and Re-Cycling Applications**

**Includes Full Cylinder Guard**



**TAG Manufacturing, Inc. • Chattanooga, TN 37416**

<https://tagmfg.us>





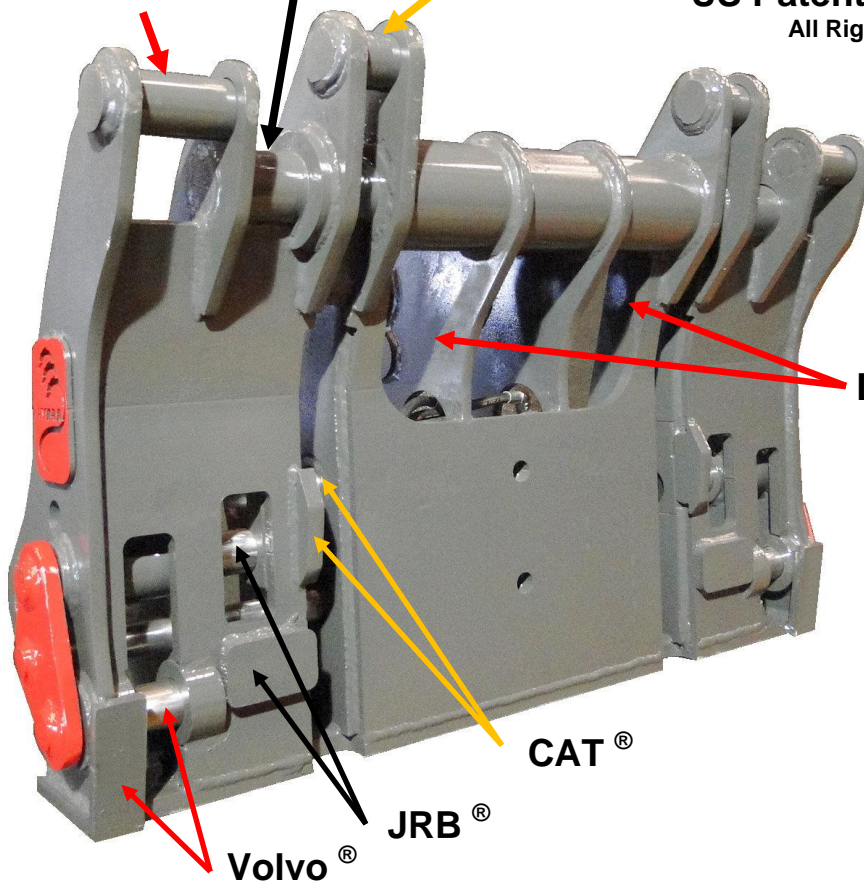
***TAG's New HYDRA Multi-Coupler™ will give any Class 200 to 500 Wheel Loader the Capability to Attach to the Three Main Coupler Systems in the Market Today With Just One Hydraulic Coupler***

Volvo® ISO  
L50 – L120  
John Deere®  
Hi-Vis

JRB®  
416 Series

CAT®  
IT12 – IT28

US Patent No. 9,121,162  
All Rights Reserved



Open Center  
Design Allows  
for Improved  
Visibility

Disclaimer: The Technical Information Provided in this Brochure Shall Remain the Exclusive Intellectual Property of TAG Manufacturing, Inc., Chattanooga, TN 37416

**TAG Manufacturing, Inc. • Chattanooga, TN 37416**

<https://tagmfg.us>





## **Wheel Loader Attachments**



### **General Purpose Buckets**

Standard and Larger Capacities Available  
Pin-on • Quick-Coupler, O.E.M. Cutting Edges



### **Light Material Large Capacity Buckets**

Optional Solid, or Wire Mesh Opening Spill Plate  
Pin-on • Quick-Coupler, O.E.M. Cutting Edges



### **General Purpose Buckets with Bolt-on Teeth**

Various GET Systems Available • Bolt-on Segments  
Pin-on • Quick-Coupler, O.E.M. Cutting Edges



### **Wood-Chip Large Capacity Buckets**

Optional Solid, or Wire Mesh Opening Spill Plate  
Pin-on • Quick-Coupler, O.E.M. Cutting Edges



**TAG Manufacturing, Inc. • Chattanooga, TN 37416**

<https://tagmfg.us>



# Wheel Loader Attachments

## **X**TENDED<sup>TM</sup> PERFORMANCE

### **Material Re-Handling Performance Buckets**

Pin-on • Quick-Coupler, O.E.M. Cutting Edges  
Special Design With a Deeper " Longer Floor " and Greater Side Plate " Attack Angles " To Enhance Material Penetration and Loading



### **Mega High Capacity Light-Weight Material and Coal Re-Handling Buckets**

Pin-on • Quick-Coupler, O.E.M. Cutting Edges

**Increased Widths to Lower  
Bucket Height For Improved  
Visibility**



**Disclaimer:** The Technical Information Provided in this Brochure Shall Remain The Exclusive Intellectual Property of TAG Manufacturing, Inc., Chattanooga, TN 37416

**TAG Manufacturing, Inc. • Chattanooga, TN 37416**

<https://tagmfg.us>







## Wheel Loader Attachments



Available for  
Compact Wheel Loaders  
• RTL Backhoes

### Grapple Buckets with (2) Independent Top Clamps

Pin-on • Quick-Coupler, O.E.M. Cutting Edges  
Optional Full, Half, or Cut-a-Way Sides  
Optional Enclosed Clamps with Solid Plating, or Expanded-Metal  
Requires 3<sup>rd</sup> Function Hydraulics

**NOTE:** Primary Application Designed For General-Duty Debris Clean-Up and Light-Weight Loose Materials  
For Continuous Duty-Cycle Applications Please Refer To Our Heavy-Duty Recycling Grapple Buckets



**TAG Manufacturing, Inc. • Chattanooga, TN 37416**

<https://tagmfg.us>



# Wheel Loader Attachments



## Heavy-Duty Recycling / Waste Transfer Station Grapple Buckets

**Duty-Cycle Heavy-Duty Robust " Ladder-Style " Clamps  
With Larger Hinge Pins and Clamp Stops**

Pin-on • Quick-Coupler • O.E.M. Cutting Edges  
Requires 3<sup>rd</sup> Function Hydraulics



Pushing Profile



Loading Profile

**Optional Solid, or Laminated  
Rubber Edges & Rear Wear Pads**

## Waste Transfer Station Large Capacity Buckets Optional Pushing, or Loading Configuration

Pin-on • Quick-Coupler • O.E.M. Cutting Edges

**TAG Manufacturing, Inc. • Chattanooga, TN 37416**

<https://tagmfg.us>





# Wheel Loader Attachments



Straighter  
12°-15°  
Sides

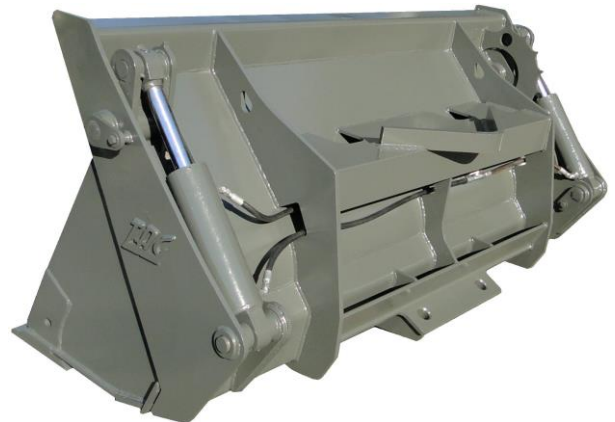


## Heavy-Duty Multi-Purpose " 4 in 1 " Buckets

Pin-on • Quick-Coupler • O.E.M. Cutting Edges  
and Various G.E.T. Tooth Systems Available  
Requires 3<sup>rd</sup> Function Hydraulics

## Special Low-Profile High Capacity Fertilizer / Agriculture Buckets

Pin-on • Quick-Coupler • O.E.M. Cutting Edges  
**Designed for Maximum Retention of  
Agriculture Products**



## ACS® Series 1000 and Pro Series 2000 Quick-Coupler Buckets And Attachments

Direct Compatibility With Existing ACS® Coupler Systems  
Plus a Full Complement of All Other Wheel Loader Attachments Including Buckets, Forks & Booms

**TAG Manufacturing, Inc. • Chattanooga, TN 37416**

<https://tagmfg.us>



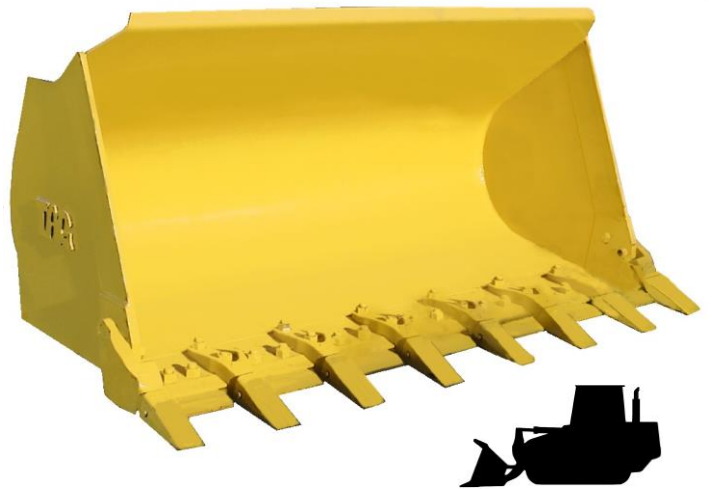
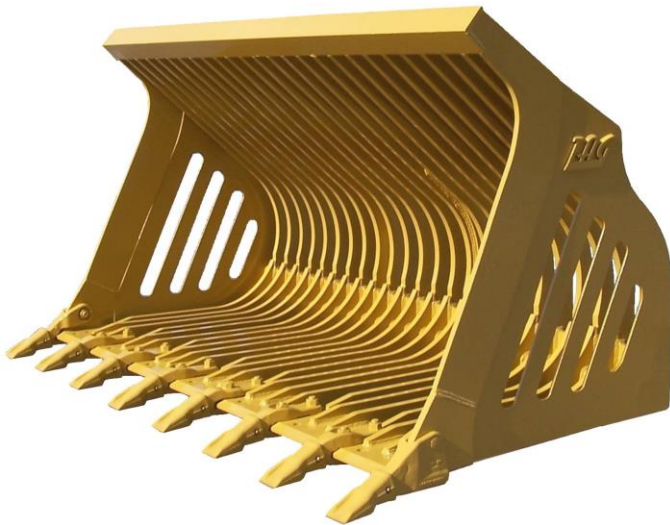


# Wheel Loader Attachments



## Heavy-Duty Straight-Lip Rock Buckets or Spade-Nose Rock Buckets

Various Tooth Systems Available • Weld-on Shanks and Teeth • Option Bolt-on, or Weld-on Segments, or O.E.M. Bolt-on Cutting Edges and H.D. Rear Wear Plates



## Heavy-Duty Skeleton Buckets

Pin-on • Quick-Coupler  
Optional Tine Spacing and Tine Thickness  
Weld-on , or Bolt-on Shanks • Bolt-on Segments  
or Bolt-on Edges

## Crawler Loader G.P. Buckets

Pin-on • Quick-Coupler  
Weld-on , or Bolt-on Shanks • Bolt-on Segments

**TAG Manufacturing, Inc. • Chattanooga, TN 37416**

<https://tagmfg.us>





## **Wheel Loader Attachments**

### **Super Extreme Duty Mining Buckets for Large Wheel Loaders**

Available With Custom GET Options  
and Full Mining Packages

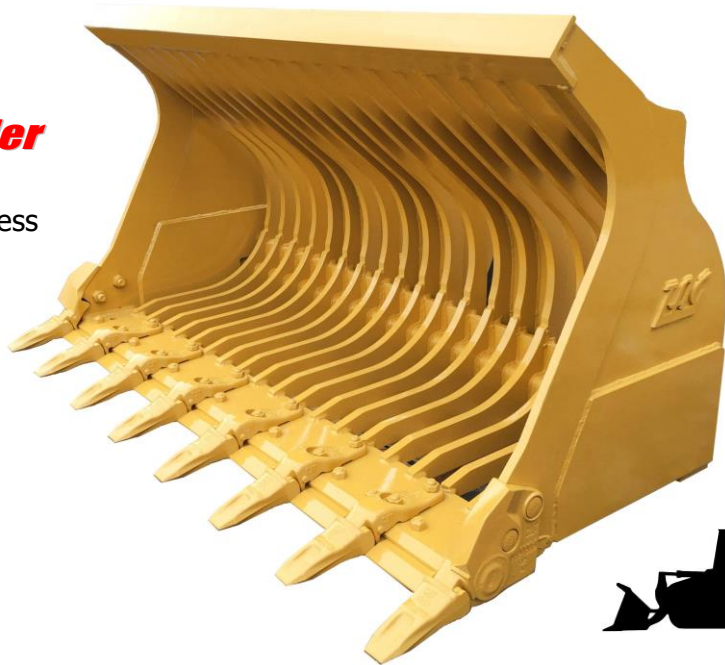


Series



### **Extreme Duty Track Loader Skeleton Bucket**

Optional Tine Spacing and Tine Thickness  
Weld-on , or Bolt-on Shanks  
Bolt-on Segments



**TAG Manufacturing, Inc. • Chattanooga, TN 37416**

<https://tagmfg.us>



# Wheel Loader Attachments



## Severe-Duty Hot Slag Straight-Lip, or Spade-Nose Hot Slag Buckets

Extra-Thick Construction of Special Alloy Steels to Resist Intense Heat and Cracking  
Various G.E.T. Tooth Systems Available with Weld-on Shanks and Teeth  
Option Bolt-on, or Weld-on Segments



## Heavy-Duty Smelter Charge-Chute Buckets

Designed To Load Ferrous Scrap, and Non-Ferrous Scrap, Plus Chemical Additives Into Smelters  
Extra-Thick Construction of Special Alloy Steels to Resist Intense Heat and Cracking  
Pin-on • Quick-Coupler

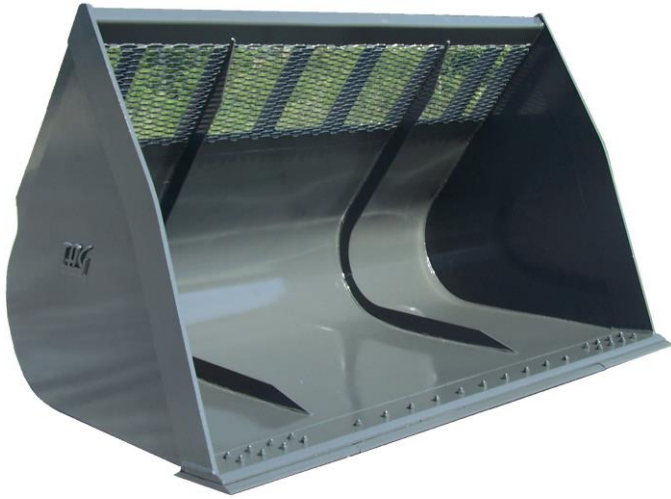


**TAG Manufacturing, Inc. • Chattanooga, TN 37416**

<https://tagmfg.us>



# Wheel Loader Attachments



## Bark or Mulch Large Capacity Light-Weight Buckets

Pin-on • Quick-Coupler • O.E.M. Cutting Edges



## Mega High Capacity Ultra Light-Weight Wood Chip Buckets

Pin-on • Quick-Coupler • O.E.M. Cutting Edges



## Side Dump Buckets

Available for Compact Wheel Loaders • RTL Backhoes

LH Dumping, or RH Dumping • Pin-on • Quick-Coupler  
Requires 3<sup>rd</sup> Function Hydraulics

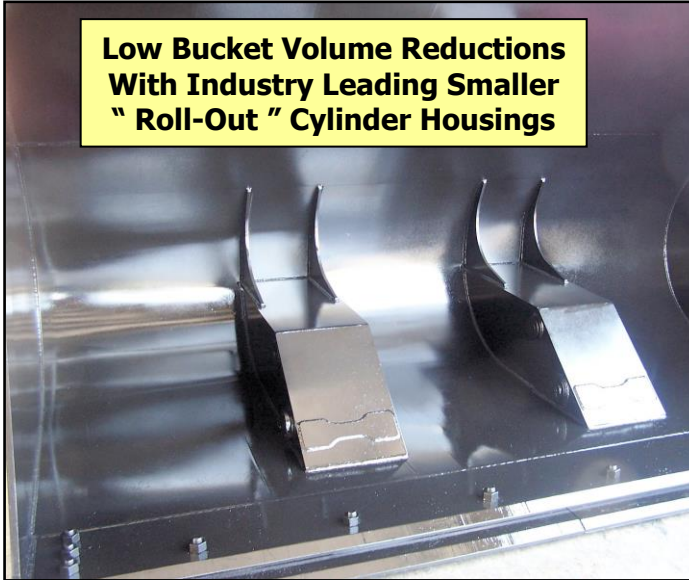
**TAG Manufacturing, Inc. • Chattanooga, TN 37416**

<https://tagmfg.us>





# Wheel Loader High Tip Roll-Out Buckets



**TAG Exclusive Features with Maximum Outboard Spread of Twin-Cylinders for Fast and Reliable Raising and Dumping of the Bucket, Resists Twisting and Flexing of the Carriage and the Bucket for Trouble Free Service**

Pin-on • Quick-Coupler • O.E.M. Cutting Edges



Available With Euro Sides and Rear Vent Slots To Better Handle Dry Wood Chips



**TAG Manufacturing, Inc. • Chattanooga, TN 37416**

<https://tagmfg.us>

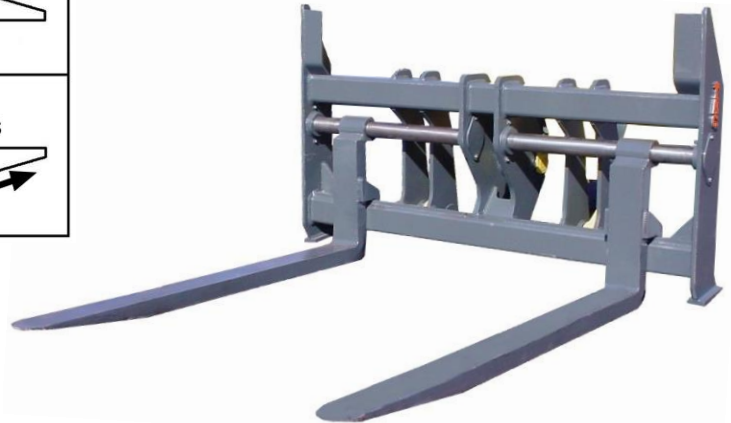
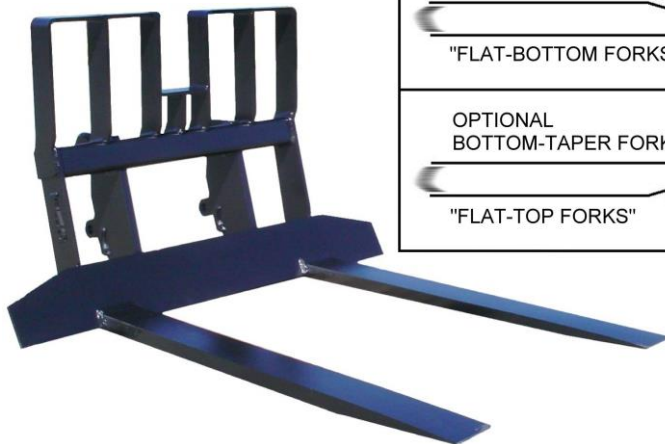
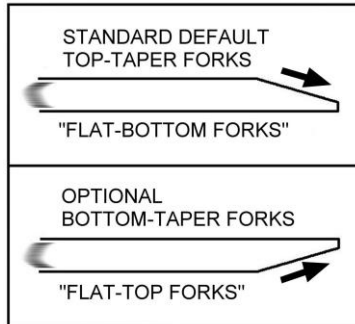




# Wheel Loader Attachments

Shown with Optional 24" ISO Rack / Guard

Available for Compact To Large WL • RTL Backhoes



## Heavy-Duty Carbody Forks

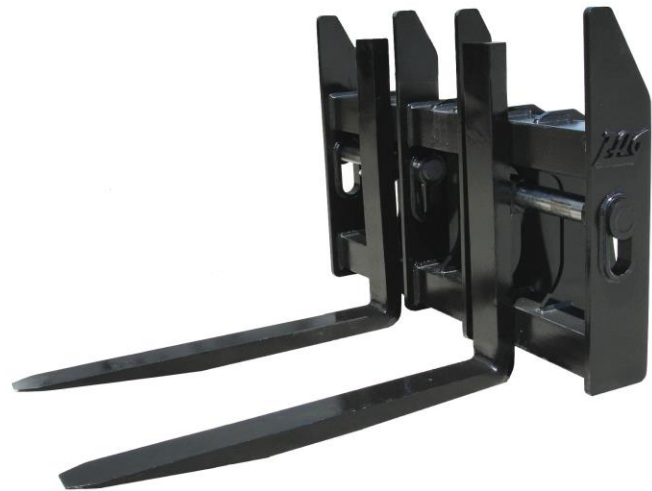
Pin-on • Quick-Coupler  
Optional Top Guard

## Heavy-Duty Construction Forks

Pin-on • Quick-Coupler

**" Pipeline / Skidder-Tire Specials "**  
Available With Wider Fork Carriages and Height Adjusted Hook-Ups For Larger Diameter Skidder Tires

Available for Compact WL • RTL Backhoes



## Heavy-Duty Hydraulic Side-Shift Forks

Pin-on • Quick-Coupler, Requires 3<sup>rd</sup> Function

## Heavy-Duty Logging Forks

Pin-on • Quick-Coupler  
Heavier Carriages and Reinforcements  
Available with " Independent Oscillating Tines "



**TAG Manufacturing, Inc. • Chattanooga, TN 37416**

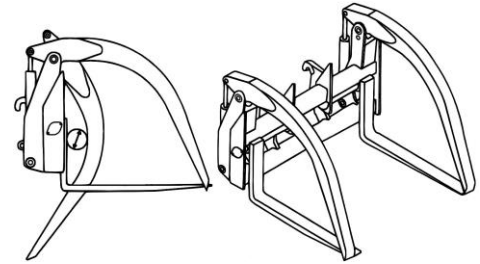
<https://tagmfg.us>



# Wheel Loader Attachments

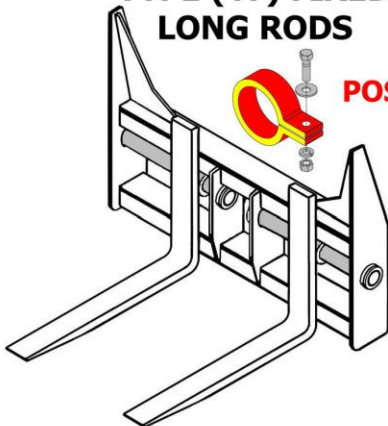
## Heavy-Duty Log and Lumber Forks With Paddle Top Clamp

Requires 3<sup>rd</sup> Function Hydraulics  
Pin-on, or Quick-Coupler



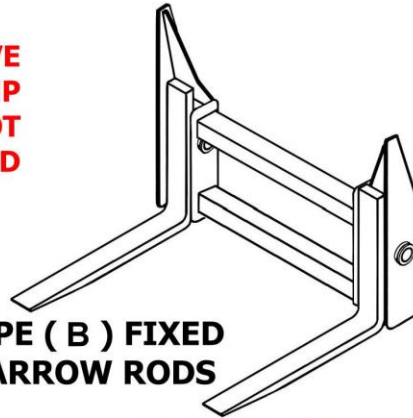
Available Double Independent  
Top Clamps

**TYPE ( A ) FIXED  
LONG RODS**

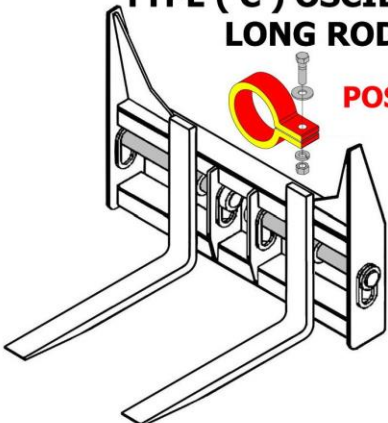


**EXCLUSIVE  
POSITION CLAMP  
DOES NOT  
DAMAGE ROD**

**TYPE ( B ) FIXED  
NARROW RODS**

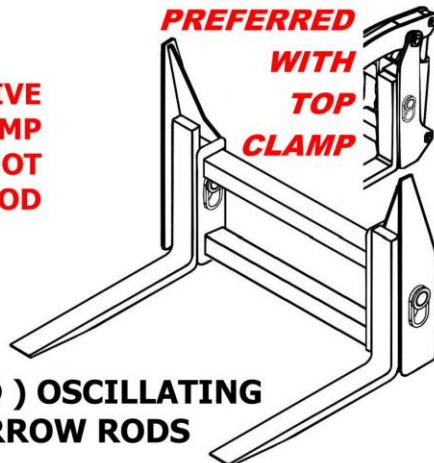


**TYPE ( C ) OSCILLATING  
LONG RODS**



**EXCLUSIVE  
POSITION CLAMP  
DOES NOT  
DAMAGE ROD**

**PREFERRED  
WITH  
TOP  
CLAMP**



**TYPE ( D ) OSCILLATING  
NARROW RODS**

Available Hanger Rod  
Configurations For Both  
Log & Lumber Forks and  
Logging Forks With  
Top Clamp To  
Suit the Application



**TAG Manufacturing, Inc. • Chattanooga, TN 37416**

<https://tagmfg.us>



## **Wheel Loader Attachments**

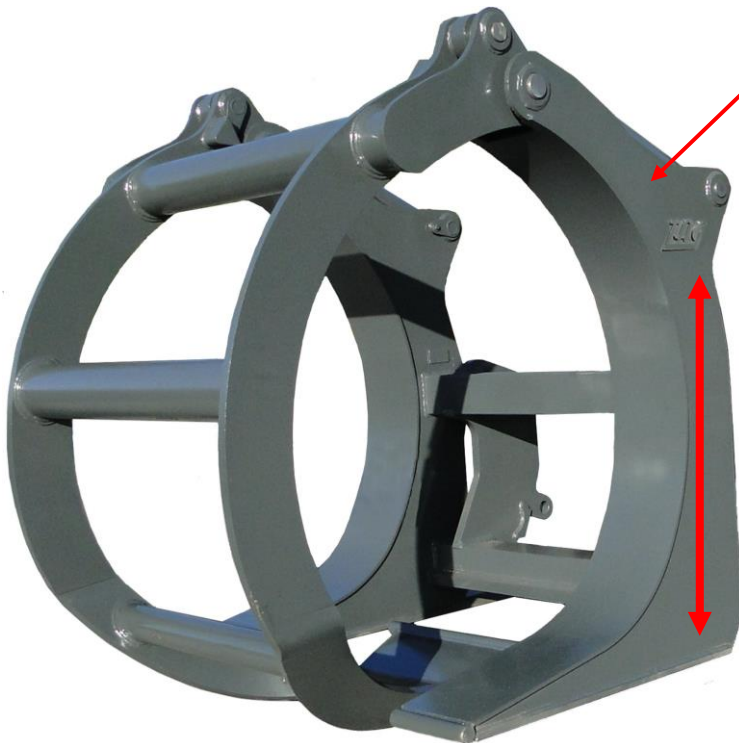
### **Heavy-Duty Mill Yard Forks**



(3) Large Solid Monolithic ASTM A514 " T-1 " Full Height Weldments Offers Much Greater Strength and Rigidity Than Competitive Designs  
Requires 3<sup>rd</sup> Function Hydraulics  
Pin-on, or Quick-Coupler

**IMPROVED  
NEW DESIGN**

### **Heavy-Duty Sorting Grapple**



(2) Large Solid Monolithic ASTM A514 " T-1 " Full Height Weldments Offers Much Greater Strength and Rigidity Than Competitive Designs  
Requires 3<sup>rd</sup> Function Hydraulics  
Pin-on, or Quick-Coupler



**TAG Manufacturing, Inc. • Chattanooga, TN 37416**

<https://tagmfg.us>



# Wheel Loader Attachments

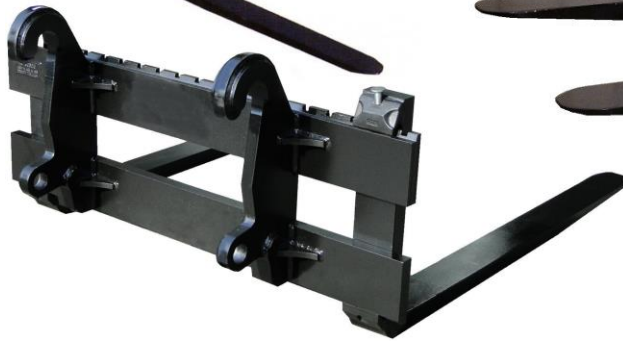


Class 2 Rated @ 6,400 lbs.



## Severe-Duty Quarry Forks For Large Wheel Loaders

Designed to Pry and Chisel Out Cut  
or Blasted Dimensional Stone  
Loading and Unloading of Trailers



Class 3 Rated @ 10,500 lbs.

Class 4 Rated @ 14,000 lbs.

## Medium Duty "Pallet Style Forks"

Pin-on • Quick-Coupler, "ITA" Top Carriage  
Compact to Medium Sized Wheel Loaders • RTL Backhoes



## Weld-on "Quick-Attach" Bucket Forks

5000 lbs. to 20,000 lbs. Ratings  
For Small to Medium Wheel Loaders  
and RTL Backhoes



## Dedicated "Swing-Over" Rubber Tire Loader Bucket Forks Rear Lockable in "Storage Mode"

For G.P. and Multi-Purpose 4-N-1 Buckets  
• *Designed for TAG Buckets Only*

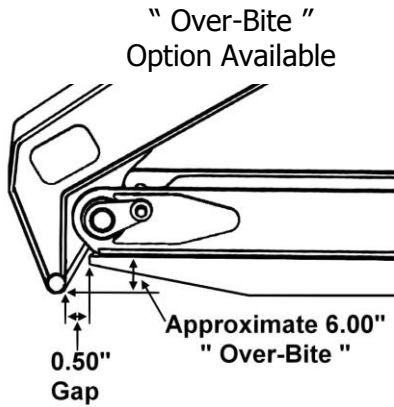


**TAG Manufacturing, Inc. • Chattanooga, TN 37416**

<https://tagmfg.us>



# Wheel Loader Attachments



## Heavy-Duty Oil and Gas Drilling Pipeline and Utilities Construction Pipe Forks

Full Width Top Clamp with Stabilizer Clamps for Securely Handling Very Long Pieces of Pipe, Double Hinge Top Clamp Folds to Hold More Pipe Requires Only 3<sup>rd</sup> Function Hydraulics • Pin-on, or Quick-Coupler

Load Rated Forged Hooks



## Heavy-Duty Manual Extendable Booms

Pin-on • Quick-Coupler  
(1),(2), or (3) Stages As Class Ratings Require

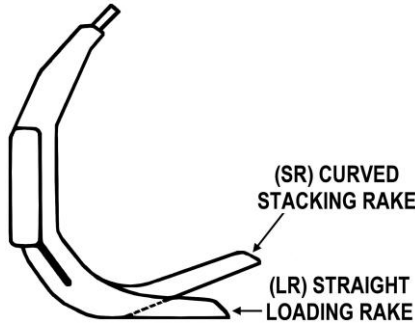


**TAG Manufacturing, Inc. • Chattanooga, TN 37416**

<https://tagmfg.us>



# Wheel Loader Attachments



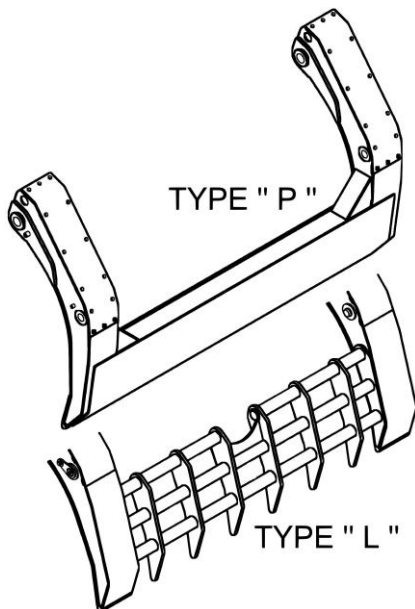
## Heavy-Duty Standard Rakes, and Stacking Rakes

Pin-on • Quick-Coupler • ASTM A514 " T-1 " Construction

### " Pipeline / Skidder-Tire Specials "

Available With Wider Rake Carriages and Height Adjusted Hook-Ups For Larger Diameter Skidder Tires

Both Designs Available for Compact Wheel Loaders • RTL Backhoes



## Heavy-Duty Grapple Rakes with (2) Independent Top Clamps or Optional " P " or " L " Top Clamp

Pin-on • Quick-Coupler • Requires 3<sup>rd</sup> Function Hydraulics



**TAG Manufacturing, Inc. • Chattanooga, TN 37416**

<https://tagmfg.us>



# Wheel Loader Attachments

## Bio-MassRake™



### Severe-Duty Bio-Mass Rake with Wide (2) Independent Top Clamps

Pin-on, or Quick-Coupler  
Special Top Clamp Design With Enclosed Clamp and Rake Sections for MAX Material Retention  
Requires 3<sup>rd</sup> Function Hydraulics



Designed to " Push-Up " the Pile



**TAG Manufacturing, Inc. • Chattanooga, TN 37416**

<https://tagmfg.us>



# **WE'RE IT.**

***At TAG Manufacturing, Inc. We Strive to Offer You the Most Performance and Engineering Features Available in the Market Today in All Our Products***

***Coupled with the Highest Quality Materials and Components Obtainable and with World Class Innovative Manufacturing Processes that are Held to Rigid Quality Standards That Delivers Superior Performance and Durability In All of Our Products***



## **Exclusive Limited One (1) Year Warranty**

**TAG Manufacturing, Inc. warrants its new product(s) to be free from defects and workmanship for a period of one (1) year from the date of original purchase**

**Disclaimer:** subject to the terms and conditions of our published " Limited Warranty and Procedures " contained within our Price Book

**Contact Your Local Dealer**



**TAG Manufacturing, Inc.**  
**6989 Discovery Drive • Chattanooga, TN 37416**  
**<https://tagmfg.us>**

