

OFFICE: 1807 BAKER WAY KELSO WA 98626
PHONE: (360) 577-7213 FAX: (360) 425-6985



SALES: MATT GURNEY (503) 577-7742
PARTS DEPARTMENT: (360) 636-2242



RDO 512 SCREENER



RDO 512 SCREENER (TRACK)



RDO 616 SCREENER



RDO 616 SCREENER (TRACK)



RDO 616 SCREENER (3 DECK)



RDO 514 WASH PLANT



RDO 5220 RIP RAP PLANT



RDO ROCK WOOD SEPERATOR



RDO JAW CRUSHERS



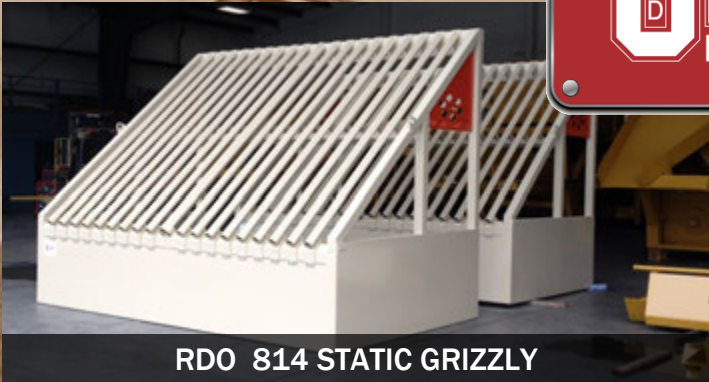
RDO CONE CRUSHERS



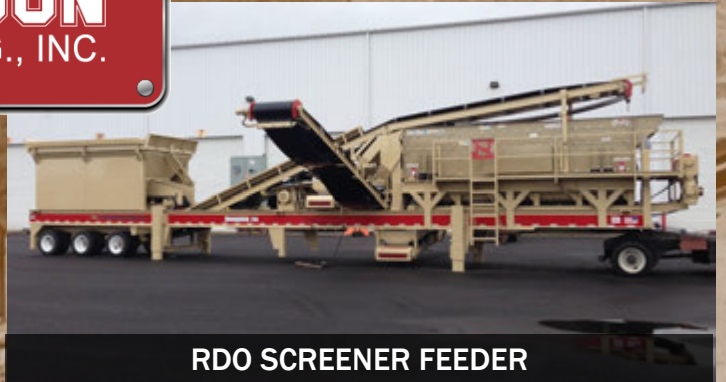
RDO HSI IMPACT PLANTS



RDO PICKING CONVEYORS



RDO 814 STATIC GRIZZLY



RDO SCREENER FEEDER



RDO 15 YARD BELT FEEDER



RDO 25 YARD LOAD OUT BIN



RDO TOP RAIL CONVEYORS & STACKERS



RDO LATTICE CONVEYORS & STACKERS

1807 BAKER WAY KELSO WA 98626



PHONE: (360) 577-7213 FAX: (360) 425-6985

RDO (HSI) IMPACT CRUSHING PLANTS



Diesel & Electric

Closed & Open Circuit Impact Plants

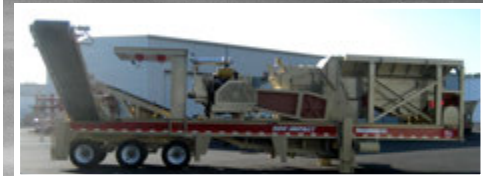
Forward & Rear Discharge Impact Plants

Track Mounted Impact Plants

Custom Design

Can Mount Any Manufacturers Impacts

Portable & Skid Mount



1807 BAKER WAY KELSO WA 98626



PHONE: (360) 577-7213 FAX: (360) 425-6985

RDO (VSI) IMPACT CRUSHING PLANTS



Open & Closed Circuit VSI Plants
Diesel Or Electric
Forward & Rear Discharge VSI Plants
Custom Design Chassis
Can Mount Any Manufacturers VSI's
Portable Or Skid Mount





1807 BAKER WAY KELSO WA 98626

PHONE: (360) 577-7213 FAX: (360) 425-6985

RDO 512 SCREENER (TRACK MOUNT)



Travel Specifications

Shipping Weight	52,000 lbs. w/o Screen Cloth
Travel Height	11'-6 5/8"
Travel Height On Lowboy w/ 22' Well	13'-4-5/8"
Plant Width	10'-0"
Travel Length	48'-6 3/8"

Diesel Engine

Manufacturer	Caterpillar
Model	C3.4
E.P.A.	Tier 4 Certified
Turbo	Turbocharged non After cooled
Horsepower	74 hp @ 1,800 rpm
Cooling	Water Cooled CAT Radiator
Fuel Tank	65 Gallon

Wireless Controls

Remote	Controls Tracks, Feeder & Opt. Grizzly
Hydraulic Tank	110 Gallon

Tracks

Track Gear	FL-6
Track Boxes	Brevini 3200
Track Links	58 Link
Track Length (Overall)	14'-9"
Track Width (Overall)	10'-0"
Track Pad Width	20"

Feeder Hopper

Standard (Grizzly Ready)	Approx. 10 cu Yards
Max. Feed Size	12"
Loading Height	11'-6"

Screen - 5x12x2D Step Deck

Drive - Type	Hydraulic
Drive - Cubic Inch	4.5
Drive - RPM	1641
Screen Throw	5/8"
Suspension	Rubber Spring
Bearings	100mm (grease)

Feeder / Grizzly Options

14' Hyd End Dump Grizzly (HEAVY DUTY)

Misc. Options

Single Shaft Soil Shredder	
Aux. Valve	For Off Board Conv. Or Opt. Grizzly Top
Strike Off Bar	

Screen Options

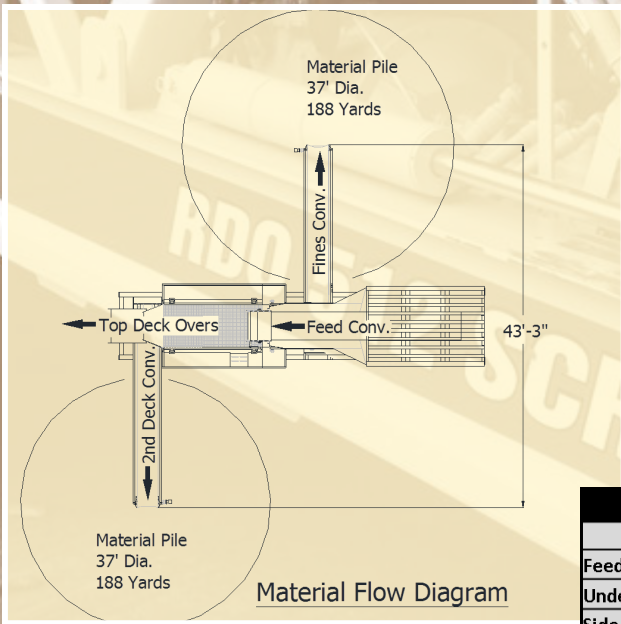
Wet Kit

Conveyor Options

Belting Options: 3-Ply, Chevron Cleaning, Hot Splice

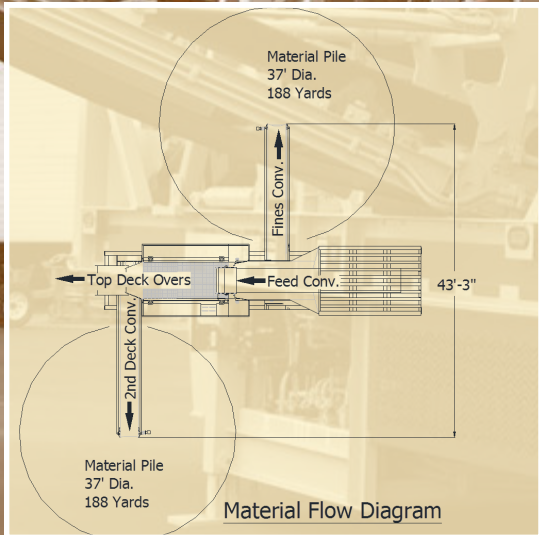
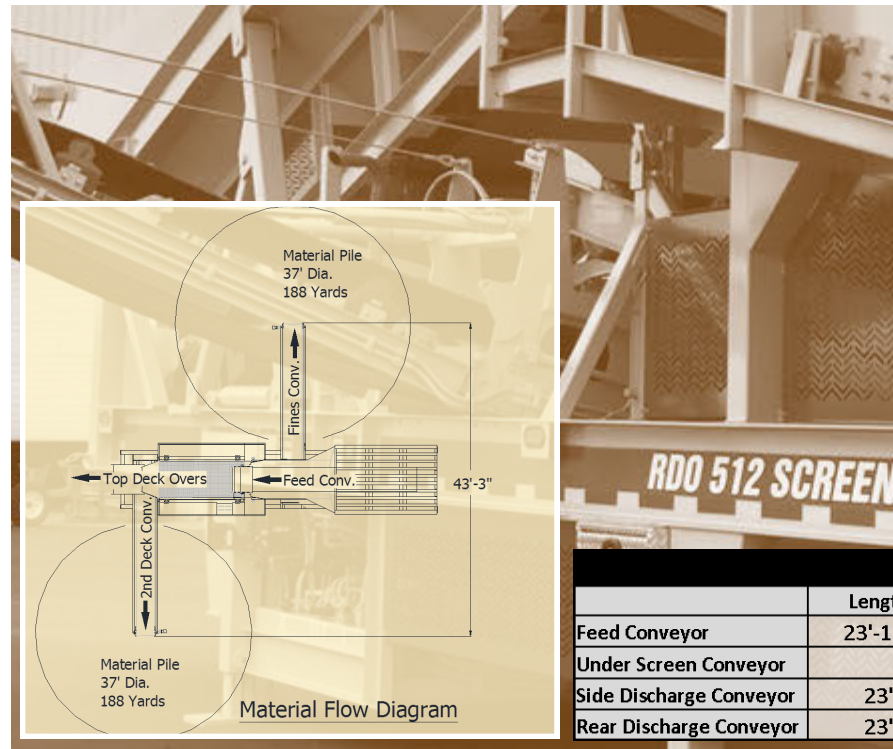
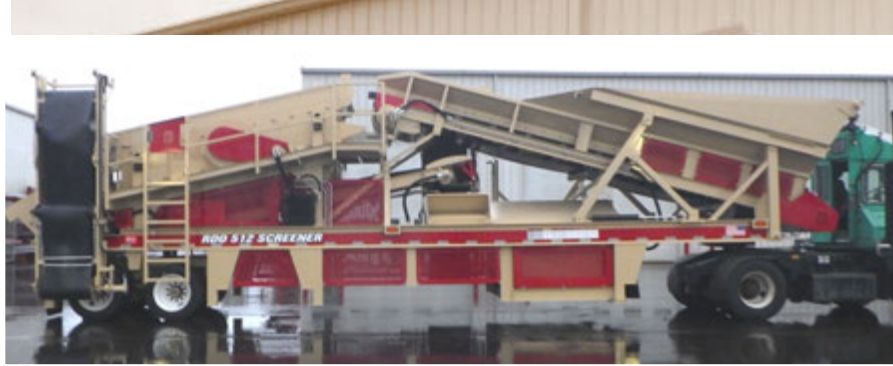
Conveyors

	Length	Width	Motor	Cubic Inches	F.P.M.
Feed Conveyor	23'-10"	48"	Hyd	19	Vari.
Under Screen Conveyor		42"	Hyd	32	235
Side Discharge Conveyor	23'	30"	Hyd	24	314
Rear Discharge Conveyor	23'	30"	Hyd	45	263





RDO 512 SCREENER



Travel Specifications

Weight - Dual Axle	@Pin 23,700 @Axles 20,000
Height	13'-6"
Width	11'-5 1/2"
Length	46'-9"

Diesel Engine

Manufacturer	Caterpillar
Model	C3.4
E.P.A.	Tier 4 Certified
Turbo	Turbocharged non After cooled
Horsepower	74 hp @ 1,800 rpm
Cooling	Water Cooled.
Fuel Tank	65 Gallon

Hydraulics

Legs	2 hydraulic Jacking Legs
Hydraulic Tank	110 Gallon

Feeder Hopper

Standard (Grizzly Ready)	Approx. 12 cu Yards
Wing Wall Hopper (Opt.)	18 Yards
Loading Height	13'-6"

Screen - 5x12x2D Step Deck

Drive - Type	Hydraulic
Drive - Cubic Inch	4.5
Drive - RPM	1641
Screen Throw	5/8"
Suspension	Rubber Spring
Bearings	100mm (oil bath)

Feeder / Grizzly Options

14' Hyd End Dump Grizzly (HEAVY DUTY)

Misc. Options

- Aux. Valve For Off Board Conv. Or Opt. Grizzly Top
- Single Shaft Soil Shredder
- Extra Axle (From Single to Double)

Leg Options

- 2 Rear Hydraulic Legs
- Strike Off Bar

Screen Options

Wet Kit

Conveyor Options

Belting Options: 3-Ply, Chevron Cleating, Hot Splice

Conveyors

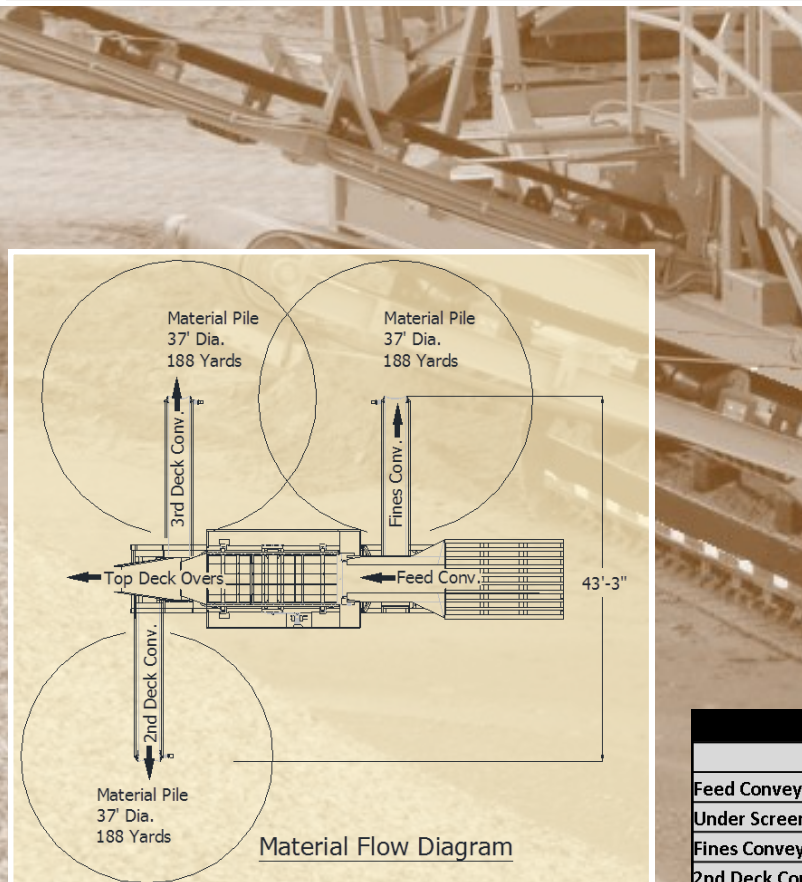
	Length	Width	Motor	Cubic Inches	F.P.M.
Feed Conveyor	23'-10"	48"	Hyd	19	Vari.
Under Screen Conveyor		42"	Hyd	32	235
Side Discharge Conveyor	23'	30"	Hyd	24	314
Rear Discharge Conveyor	23'	30"	Hyd	45	263

1807 BAKER WAY KELSO WA 98626



PHONE: (360) 577-7213 FAX: (360) 425-6985

RDO 616 SCREENER (3 DECK TRACK MOUNT)



Travel Specifications

Weight At Pin	18,000 lbs.
Weight At Axles	48,500 lbs.
Total weight	66,500 lbs.
Height	13'-6"
Width	11' - 5-1/2"
Length	54'

Diesel Engine

Manufacturer	Caterpillar
Model	C3.4
E.P.A.	Tier 4 Certified
Turbo	Turbocharged Aftercooled
Horsepower	100 hp
Cooling	Water Cooled CAT Radiator
Fuel Tank	60 Gallon

Hydraulics

Legs	2 hydraulic Jacking Legs
Hydraulic Tank	110 Gallon

Feeder Hopper

Standard (Grizzly Ready)	Approx. 11 cu Yards
Wing Wall Hopper (Opt.)	15 Yards
Loading Height	13'-6"

Screen - 6x16x3D Step Deck

Drive - Type	Hydraulic
Drive - Cubic Inch	7.72
Drive - RPM	1150
Screen Throw	5/8"
Suspension	Rubber Spring
Bearings	140mm

Feeder / Grizzly Options

14' Hyd End Dump Grizzly (HEAVY DUTY)

Misc. Options

Single Shaft Soil Shredder

Aux. Valve For Off Board Conv. Or Opt. Grizzly Top

Leg Options

2 Or 4 Rear Hydraulic Legs

Screen Options

Wet Kit

Conveyor Options

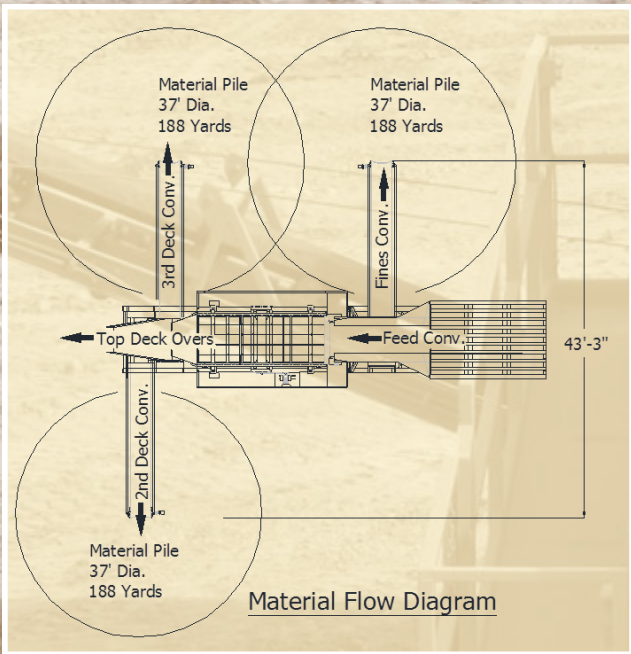
Belting Options: 3-Ply, Chevron Cleating, Hot Splice

Conveyors

	Length	Width	Motor	Cubic Inches	F.P.M.
Feed Conveyor	23'-10"	48"	Hyd	19	Vari.
Under Screen Conveyor		60"	Hyd	45	168
Fines Conveyor	16'-4"	30"	Hyd	24	314
2nd Deck Conveyor	16'-4"	30"	Hyd	45	329
3rd Deck Conveyor	16'-4"	30"	Hyd	45	329



RDO 616 SCREENER (3 DECK)



Travel Specifications

Weight At Pin	18,000 lbs.
Weight At Axles	48,500 lbs.
Total weight	66,500 lbs.
Height	13'-6"
Width	11' - 5-1/2"
Length	54'

Diesel Engine

Manufacturer	Caterpillar
Model	C4.4
E.P.A.	Tier 4 Certified
Turbo	Turbocharged Aftercooled
Horsepower	110 hp @ 1,800 rpm
Cooling	Water Cooled CAT Radiator
Fuel Tank	80 Gallon

Hydraulics

Legs	2 hydraulic Jacking Legs
Hydraulic Tank	152 Gallon

Feeder Hopper

Standard (Grizzly Ready)	Approx. 11 cu Yards
Wing Wall Hopper (Opt.)	15 Yards
Loading Height	13'-6"

Screen - 6x16x3D Step Deck

Drive - Type	Hydraulic
Drive - Cubic Inch	7.72
Drive - RPM	1150
Screen Throw	5/8"
Suspension	Rubber Spring
Bearings	140mm

Feeder / Grizzly Options

14' Hyd End Dump Grizzly (HEAVY DUTY)

Misc. Options

Single Shaft Soil Shredder
 Aux. Valve For Off Board Conv. Or Opt. Grizzly Top

Leg Options

2 Or 4 Rear Hydraulic Legs

Screen Options

Wet Kit

Conveyor Options

Belting Options: 3-Ply, Chevron Cleating, Hot Splice

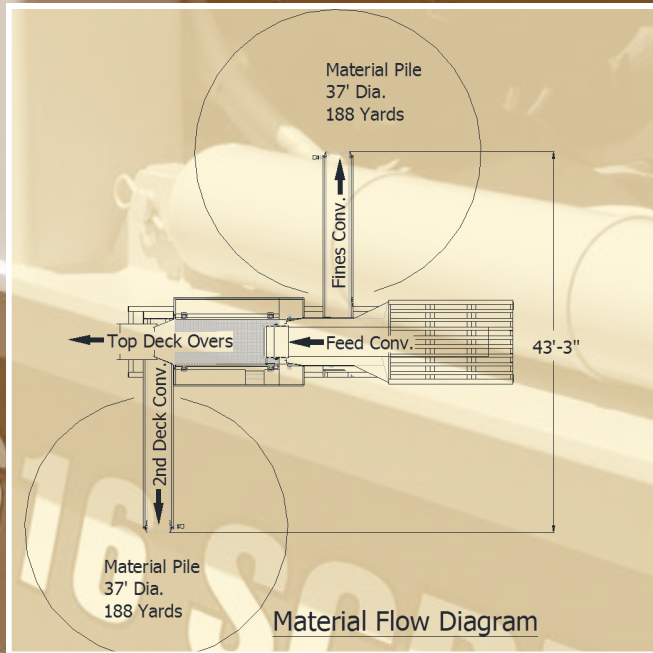
Conveyors					
	Length	Width	Motor	Cubic Inches	F.P.M.
Feed Conveyor	23'-10"	48"	Hyd	19	Vari.
Under Screen Conveyor		60"	Hyd	45	168
Fines Conveyor	16'-4"	30"	Hyd	24	314
2nd Deck Conveyor	16'-4"	30"	Hyd	45	329
3rd Deck Conveyor	16'-4"	30"	Hyd	45	329

1807 BAKER WAY KELSO WA 98626



PHONE: (360) 577-7213 FAX: (360) 425-6985

RDO 616 SCREENER (TRACK MOUNT)



Travel Specifications

Height	14'-0" (On Lowboy)
Width	11'-11"
Length	50'-11" (Travel Position)

Diesel Engine

Manufacturer	Caterpillar
Model	C3.4
E.P.A.	Tier 4 Certified
Turbo	Turbocharged non Aftercooled
Horsepower	74 hp @ 1,800 rpm
Cooling	Water Cooled CAT Radiator
Fuel Tank	65 Gallon

Hydraulics

Legs	2 hydraulic Jacking Legs
Hydraulic Tank	110 Gallon

Feeder Hopper

Standard (Grizzly Ready)	Approx. 12 cu Yards
Wing Wall Hopper (Opt.)	18 Yards
Loading Height	13'-6"

Screen - 6x16x2D Step Deck

Drive - Type	Hydraulic
Drive - Cubic Inch	4.5
Drive - RPM	1641
Screen Throw	5/8"
Suspension	Rubber Spring
Bearings	140mm

Tracks

Track Gear	FL-6
Track Boxes	Brevini 3300
Track Links	60 Link
Track Length (Overall)	15'-0"
Track Width (Overall)	11'-5 1/4"
Track Pad Width	19 3/4"

Feeder / Grizzly Options

14' Hyd End Dump Grizzly (HEAVY DUTY)

Misc. Options

Single Shaft Soil Shredder
 Aux. Valve For Off Board Conv. Or Opt. Grizzly Top

Leg Options

2 Or 4 Rear Hydraulic Legs

Screen Options

Wet Kit

Conveyor Options

Belting Options: 3-Ply, Chevron Cleating, Hot Splice

Conveyors

	Length	Width	Motor	Cubic Inches	F.P.M.
Feed Conveyor	23'-10"	48"	Hyd	19	Vari.
Under Screen Conveyor		48"	Hyd	45	168
Side Discharge Conveyor	16'-4"	30"	Hyd	24	312
Rear Discharge Conveyor	16'-4"	30"	Hyd	45	263

1807 BAKER WAY KELSO WA 98626



PHONE: (360) 577-7213 FAX: (360) 425-6985

RDO 616 SCREENER



OPTIONAL HYDRAULIC GRIZZLY HOPPER LID

RDO 616 SCREENER

Travel Specifications

Weight At Pin	13,500 lbs.
Weight At Axle	39,000
Total weight	51,250 lbs.
Height	13'-6"
Width	11'-5 1/2"
Length	50'

Diesel Engine

Manufacturer	Caterpillar
Model	C3.4
E.P.A.	Tier 4 Certified
Turbo	Turbocharged non Aftercooled
Horsepower	74 hp @ 1,800 rpm
Cooling	Water Cooled CAT Radiator
Fuel Tank	65 Gallon

Hydraulics

Legs	2 hydraulic Jacking Legs
Hydraulic Tank	110 Gallon

Feeder Hopper

Standard (Grizzly Ready)	Approx. 12 cu Yards
Wing Wall Hopper (Opt.)	18 Yards
Loading Height	13'-6"

Screen - 6x16x2D Step Deck

Drive - Type	Hydraulic
Drive - Cubic Inch	4.5
Drive - RPM	1641
Screen Throw	5/8"
Suspension	Rubber Spring
Bearings	140mm

Feeder / Grizzly Options

14' Hyd End Dump Grizzly (HEAVY DUTY)

Misc. Options

- Single Shaft Soil Shredder
- Extra Axle (From Double To Triple)
- 2 And 3 Axle Super Single Duplex Tire/Axle
- Aux. Valve For Off Board Conv. Or Opt. Grizzly Top

Leg Options

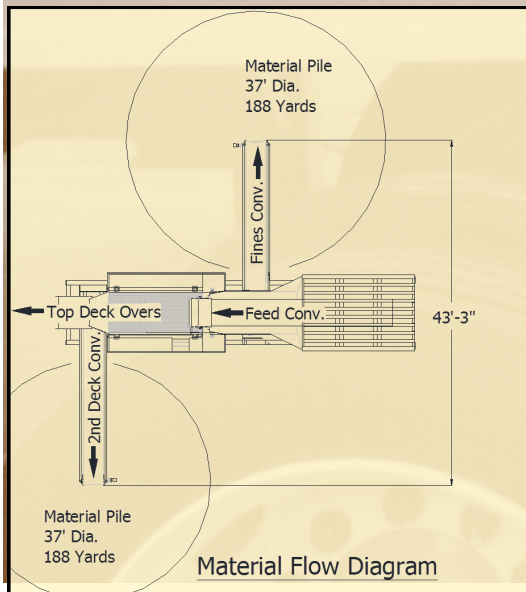
2 Or 4 Rear Hydraulic Legs

Screen Options

Wet Kit

Conveyor Options

Belting Options: 3-Ply, Chevron Cleating, Hot Splice



Conveyors

	Length	Width	Motor	Cubic Inches	F.P.M.
Feed Conveyor	23'-10"	48"	Hyd	19	Vari.
Under Screen Conveyor		48"	Hyd	45	168
Side Discharge Conveyor	16'-4"	30"	Hyd	24	312
Rear Discharge Conveyor	16'-4"	30"	Hyd	45	263

1807 BAKER WAY KELSO WA 98626



PHONE: (360) 577-7213 FAX: (360) 425-6985

RDO 616 WASH PLANT (TWIN SCREW)



Travel Specifications

Travel Height	13'-11 1/2"
Travel Width	11'-11"
Length	37'-3"

Screen - 6x16x3D 18 Degree - Low Profile

Drive - Type	Electric
Horsepower	25
Screen Throw	3/8"
Suspension	Rubber Spring
Bearing Size	140mm
Bearing Type	Oil

Screen Wet Kit

GPM @ 80 psi (Estimated)	1350
Spray Nozzles	1/4" or 1/8"
Wash Bars Per Deck	5

Water Manifold • Rubber Hoses • Ball Valves

Sandscrews - 36" x 25'

Drive - Type	Electric
Horsepower	15
Screw R.P.M.	20.5
Screw Shaft Diameter	10"

Rising Current • Wash Out At Material Exit

Enclosed Motor • Dodge Gear Box

External Bearings

1807 BAKER WAY KELSO WA 98626



PHONE: (360) 577-7213 FAX: (360) 425-6985

RDO 620 WASH PLANT (TWIN SCREW)



Travel Specifications

Travel Height	14'-0"
Travel Width	11'-8"
Length	53'-9"

Screen - 6x20x3D 18 Degree - Low Profile

Drive - Type	Electric
Horespower	30
Screen Throw	3/8"
Suspension	Rubber Spring
Bearing Size	140mm
Bearing Type	Oil

Screen Wet Kit

GPM @ 80 psi (Estimated)	2,000
Spray Nozzels	1/4"
Wash Bars Per Deck	6

Water Manifold • Rubber Hoses • Ball Valves

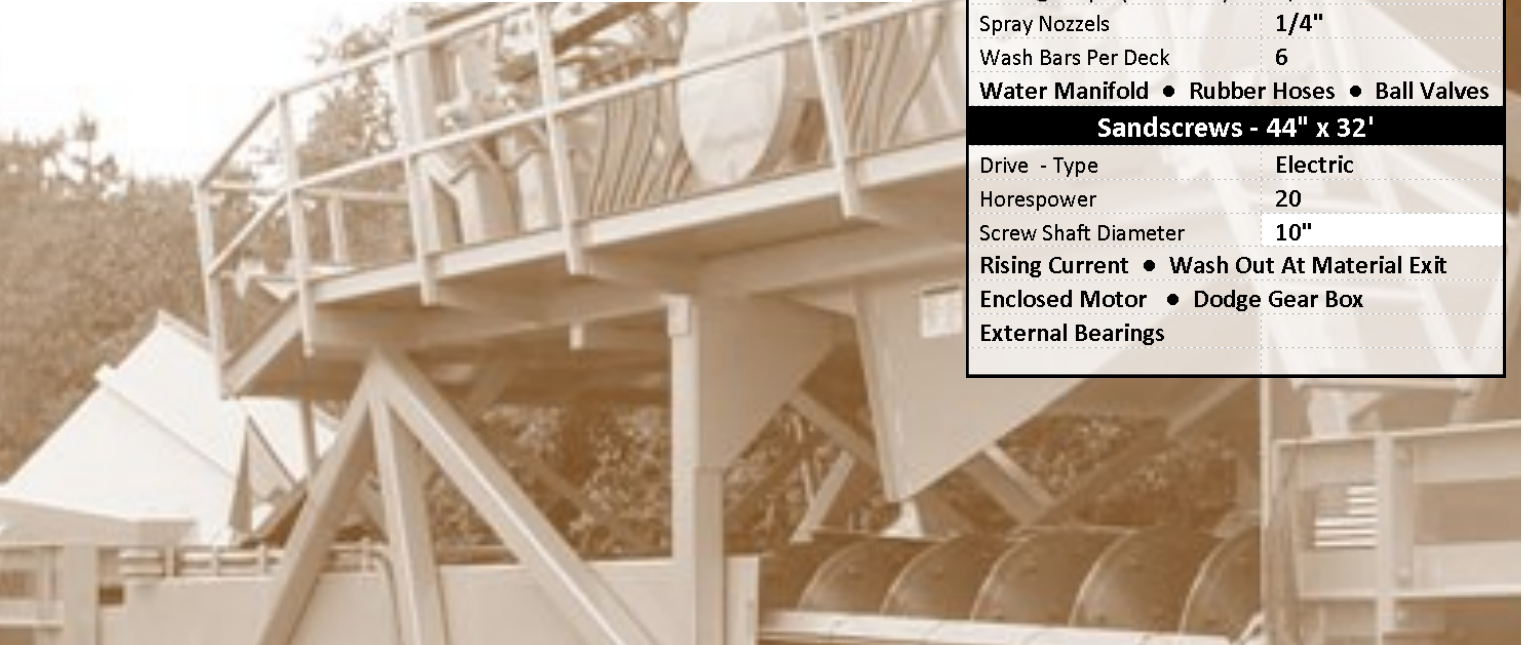
Sandscrews - 44" x 32'

Drive - Type	Electric
Horespower	20
Screw Shaft Diameter	10"

Rising Current • Wash Out At Material Exit

Enclosed Motor • Dodge Gear Box

External Bearings





RDO 2642 TRACK JAW CRUSHING PLANTS

CRUSHER: MINYU 26x42
OR UNIVERSAL 26x44

DIESEL ENGINE: CAT C-9

FEEDER: RDO 4614 90MM V.G.F.U.

TRACKS: 3500 D-5+ 63 LINK 17" WIDE

TRAVEL SPECIFICATIONS:

LENGTH: 51'-11 13/16"

WIDTH: 9'-11 15/16"

HEIGHT: 12' 5 13/16"



OPTIONS

ALUMINIUM SLIDER BED

CHANNEL INSET SLIDER BED

300 GALLON DUST SUPPRESION WATER TANK

7 FEEDER GRIZZLY BARS

CONVEYORS

JAW CONVEYOR: 42"W. 3 PLY (HYDRAULIC)

SIDE CONVEYOR: 24"W. 2 PLY (HYDRAULIC)



1807 BAKER WAY KELSO WA 98626



PHONE: (360) 577-7213 FAX: (360) 425-6985

RDO 5220 RIP RAP PLANT



Travel Specifications

Weight At Pin	15,510 lbs.
Weight At Axle	40,600 lbs.
Total weight	56,110 lbs.
Height	13'-6"
Width	8'-6"
Length	33'-5"

Diesel Engine (Mounted In Protected Enclosure)

Manufacturer	Caterpillar
Model	C3.4B
E.P.A.	Tier 4 Certified
Turbo	Turbocharged non After cooled
Horsepower	74hp @ 1,800 rpm
Cooling	Water Cooled CAT Radiator
Fuel Tank	80 Gallon

Vibratory Grizzly Feeder - 52"x20'

Drive - Type	Hydraulic
Drive - Cubic Inch	6.2
Drive - RPM	Varies (Max 710)
Liners	Side Wall & Floor Wear Plate
Adjustable Grizzly Bars	8 - 6' Long Bars & 5 - 3' Long Bars
Bearings	90mm (Oil)

Feeder Hopper

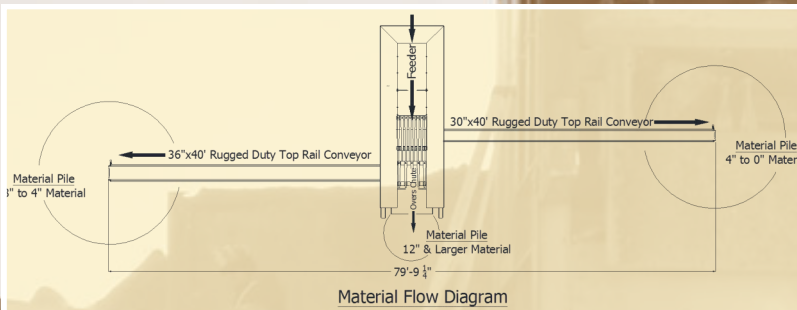
Length	24'
Width	13' (With Hopper Flares In Place)
Loading	End Or Side Load
Loading Height	15'-11" (With Hopper Flares In Place)

36"x40' Rugged Duty Off Board Conveyor

Drive - Type	Hydraulic
Drive - Cubic Inch	120
Drive - FPM	211

30"x40' Rugged Duty Off Board Conveyor

Drive - Type	Hydraulic
Drive - Cubic Inch	60
Drive - FPM	254



1807 BAKER WAY KELSO WA 98626



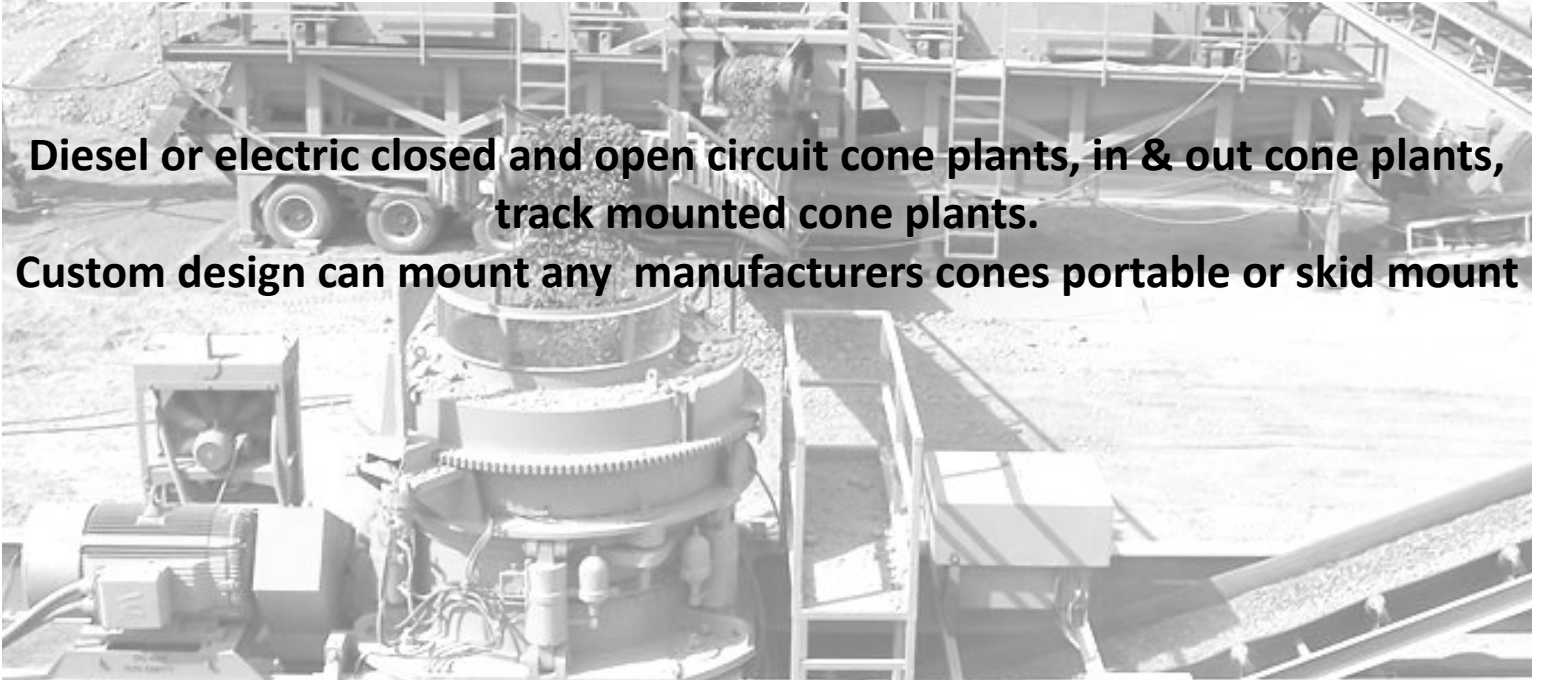
PHONE: (360) 577-7213 FAX: (360) 425-6985

RDO CONE CRUSHING PLANTS



Diesel or electric closed and open circuit cone plants, in & out cone plants, track mounted cone plants.

Custom design can mount any manufacturers cones portable or skid mount





1807 BAKER WAY KELSO WA 98626



1809 Blue Clay Rd
Wilmington, NC 28405
(910) 782-2477
www.SoundHM.com

PHONE: (360) 577-7213 FAX: (360) 425-6985

RDO HORIZONTAL SCREEN UNITS & PLANTS



RDO 620 140mm Horizontal Screen (2S)

Drive - Type	Electric - 40hp @ 1800rpm
Recommended RPM	788
Screen Throw	1/2" to 5/8" @ 45 Degrees
Suspension	Firestone Marsh Mellow (8) Rubber snubbers each corner

Bearings 140mm (Oil)
Bearings & Gears In Oil Bath (S.A.E. 90 W. Oil)
Oil sight gauge mounted on outside of oil box
Oil fill and drain plugs located on outside of oil box
Oil bath lubrication with scotseal dust and oil seals

Side Panels 5/16"
5/16" doubler plates
Steel flanged vibrator cross tube bolted to side panels
Cross members huck riveted to side panels

8 1/2" dia. Dual Eccentric shafts
20" feedbox with 1/4" AR removable wear plate
Motor base and drive guards available
4 groove "C" - 9" motor & 20" screen sheaves

