

KOBELCO

**DRIVEN BY
PASSION**

MINI EXCAVATORS SK17SR

■ **Bucket Capacity :**

1.41 cu.ft. (SAE)

■ **Engine Power :**

14.5 hp (10.8 kW)/2,400 rpm
(SAE NET)

■ **Operating Weight :**

3,681 lbs (1,610 kg)



SK17SR-6E

Compact, Tough Performer

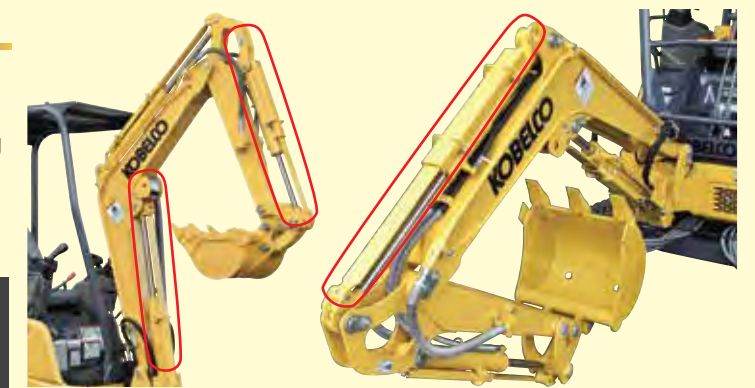
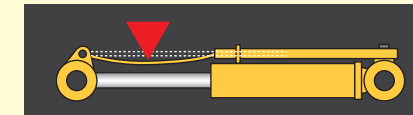
Mini excavators are widely used at sites where space is limited, such as residential areas and industrial operations. Users want big power in a small machine, stable operation, rugged construction and durability to reduce downtime. The SK17SR combines a compact design with long digging reach for efficiency, maneuverability and durability to ensure a long working life.



Durability

Superior durability

The spring steel cylinder rod guard is standard for the bucket, boom and arm cylinder. The use of spring steel not only protects the cylinder rod, but gives resiliency to the guard itself.



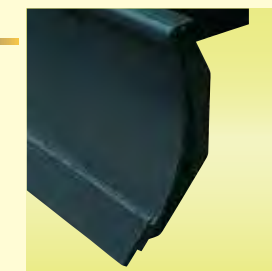
LED boom light

Work light is set under the boom, to minimize potential damage during operation.



Blade cutting edge

Backfill dozer blade has wear-resistant cutting edge.



Dozer cylinder rod guard

Dozer cylinder rod guard protects dozer cylinder from damage.



Side frames protector

The frame corners are reinforced with thick cast iron. The side cover has thicker plate for higher resilience.



Compact

Ultra-small rear swing design with zero overhang

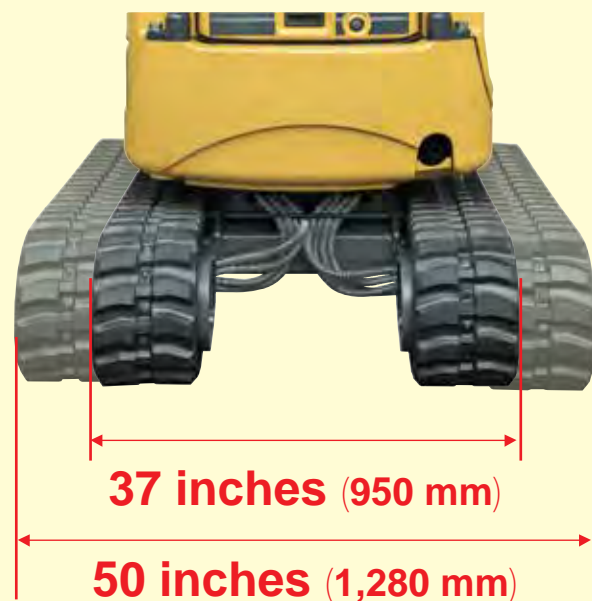
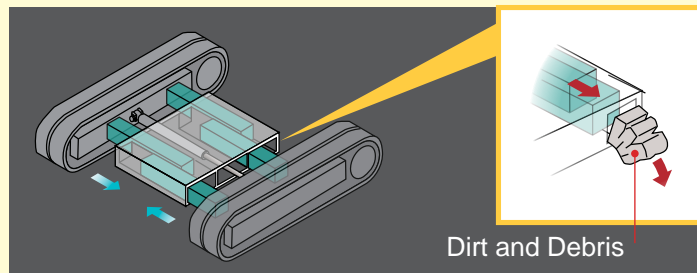
Tail swing radius overhang is 0 inches. With the crawler side frames fully extended, so you can work in tight places safely and efficiently.

Tail overhang : **0 inches**



Self-cleaning retractable crawler frames

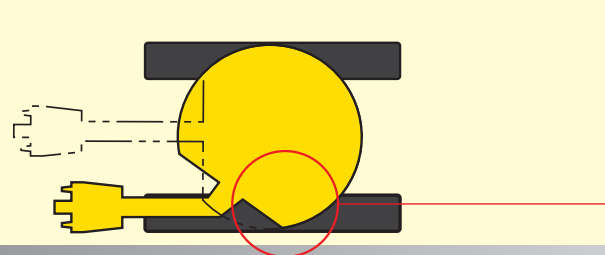
The hydraulic retractable side frames are strong and durable, as well as self cleaning. They retract to a narrow 37 inches for those tight areas, and extend to a solid 50 inches for stability.



Excellent side ditch digging

During a right boom swing, the left front frame does not protrude outside the crawler shoes. So you can smoothly dig along walls.

No main frame over hang outside the crawler shoes.



Front overhang : **0 inches** (During right boom swing)

Smaller front minimum swing radius

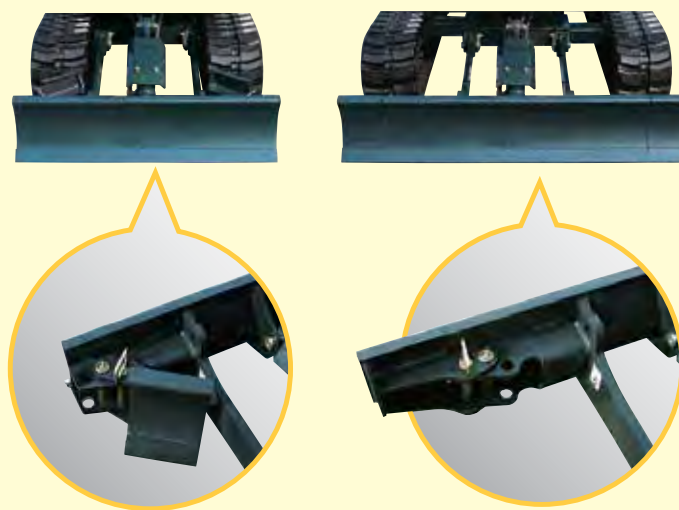
The front minimum swing radius is a small 4 feet, 6 inches at full boom swing that allows for digging, swinging, and loading even in tight spots.

Min. swing radius : **4 feet 7 inch (1,390 mm)** at right full boom swing



Easy change of dozer blade width

Adapt to job conditions by changing the dozer blade width. The dozer blade wings fold in and out and are securely fastened with a retainer pin.



Performance

Digging depth at the top of its class

Digging depth of 7 feet, 3 inches puts it at the top of its class.

Max. digging depth : **7 feet 3 inches** (2,210 mm)

Reliable swing power, faster working speed

Powerful swing torque and a top-class swing speed deliver shorter cycle times.

Swing speed : **9.5 rpm**

Straight Travel

Straight Travel circuit allows you to drive in a line, even while operating the boom.

Lifting Capacity

Excavator equipped with ROPS/FOPS and rubber crawlers

r : Reach from swing center line : ft-in(mm)

h : Lift point height : ft-in(mm)

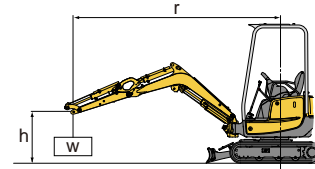
w : Lifting capacity : lbs(kg)



: Rated over front



: Rated over side



| | r:Reach ft-in (mm) | | | | | | | | | | | | | | |
|-----------------|--|-------------|--------------|-------------|---------------|--|-------------|--------------|-------------|---------------|---|-------------|--------------|-----------|---------------|
| | Rated Lift Capacity Over End Blade Down : lbs (kg) | | | | | Rated Lift Capacity Over End Blade Up : lbs (kg) | | | | | Rated Lift Capacity Over Side Blade Up : lbs (kg) | | | | |
| | 6'7"(2,000) | 8'2"(2,500) | 9'10"(3,000) | Max | Radius | 6'7"(2,000) | 8'2"(2,500) | 9'10"(3,000) | Max | Radius | 6'7"(2,000) | 8'2"(2,500) | 9'10"(3,000) | Max | Radius |
| 9'10" (3,000) | | | | *1,014(460) | 9'10" (3,010) | | | | *992(450) | 9'10" (3,010) | | | | 837(380) | 9'10" (3,010) |
| 8'2" (2,500) | | | | *1,014(460) | 11'1" (3,380) | | | | *1,014(460) | 881(400) | 11'1" (3,380) | | | *992(450) | 727(330) |
| 6'7" (2,000) | | | | *1,014(460) | *1,036(470) | 11'10" (3,630) | | | *1,014(460) | 793(360) | 11'10" (3,630) | | | 793(360) | 661(300) |
| 3'3" (1,000) | | *1,675(760) | *1,366(620) | *1,080(490) | 12'5" (3,800) | | *1,675(760) | *1,322(600) | 705(320) | 12'5" (3,800) | | *1,675(760) | 970(440) | 595(270) | 12'5" (3,800) |
| Ground (0) | *2,888(1,310) | *2,094(950) | *1,609(730) | *1,146(520) | 12'2" (3,720) | 1,962(890) | 1,388(630) | 1,058(480) | 727(330) | 12'2" (3,720) | 1,521(690) | 1,124(510) | 881(400) | 595(270) | 12'2" (3,720) |
| -3'3" (-1,000) | *2,645(1,200) | *2,028(920) | *1,543(700) | *1,190(540) | 10'4" (3,150) | 1,918(870) | 1,322(600) | 1,036(470) | 859(390) | 10'4" (3,150) | 1,543(700) | 1,102(500) | 837(380) | 705(320) | 10'4" (3,150) |
| -4'11" (-1,500) | *2,116(960) | *1,675(760) | | *1,168(530) | 8'9" (2,680) | 1,851(840) | 1,344(610) | | 1,036(470) | 8'9" (2,680) | 1,499(680) | 1,124(510) | | 881(400) | 8'9" (2,680) |

- Do not attempt to lift or hold any load that is greater than these lift capacities at their specified lift point radius and heights. Weight of all accessories must be deducted from the above lift capacities.
- Lift capacities are based on machine standing on level, firm, and uniform ground. User must make allowance for job conditions such as soft or uneven ground, out of level conditions, side loads, sudden stopping of loads, hazardous conditions, experience of personnel, etc.
- Arm bucket pin is defined as lift point.

- The above lifting capacities are in compliance with SAE J/ISO 10567. They do not exceed 87 % of hydraulic lifting capacity or 75 % of tipping load. Lifting capacities marked with an asterisk (*) are limited by hydraulic capacity rather than tipping load.
- Operator should be fully acquainted with the Operator's and Maintenance Instructions before operating this machine. Rules for safe operation of equipment should be adhered to at all times.
- Lift capacities apply to only machines as normally equipped by KOBELCO CONSTRUCTION MACHINERY CO., LTD.

STANDARD EQUIPMENT

- ROPS / FOPS Canopy
- Rubber track
- Reclining seat
- N&B piping
- Travel alarm
- 2-way pattern changer

OPTIONAL EQUIPMENT

- ROPS / FOPS Cab
- Steel track
- Auto deceleration

Note: This brochure may show attachments and optional equipment that is not available in your area. It may contain images of machines with specifications that differ from those sold in your area. Please consult your nearest KOBELCO distributor for items you require. Due to our policy of continuous product improvement, all designs and specifications are subject to change without advance notice.
Copyright by KOBELCO CONSTRUCTION MACHINERY CO., LTD. No part of this brochure may be reproduced in any manner without prior written permission.

KOBELCO CONSTRUCTION MACHINERY U.S.A. INC.

22350 Merchants Way
Katy, Texas 77449
T: 281-888-8430
F: 281-506-8713
www.KOBELCO-USA.com/

Inquiries To:



Sound Heavy Machinery
1809 Blue Clay Road
Wilmington, NC 28405
(910) 782 - 2477

SK25SR-NA-8P-101-1501ONEE

KOBELCO

**DRIVEN BY
PASSION**

MINI EXCAVATORS SK25SR



SK25SR 6E

Compact, Tough Performer

Mini excavators are widely used at sites where space is limited, such as residential areas and industrial operations. Users want big power in a small machine, stable operation, rugged construction and durability to reduce downtime. The SK25SR combines a compact design with long digging reach for efficiency, maneuverability and durability to ensure a long working life. Maintenance is straightforward, with an LED monitor, fitted as standard, to keep the operator up to speed on the machine's running condition. The SK25SR is a mini with big aspirations, designed and equipped for full-sized performance over an extended working life.



High lifting performance

Ensures high lifting performance with excellent stability

1,146 lbs (5209 kg)

Reach from swing center line : 12' 2"
Lift Point Height : 0 (Ground)

Reliable swing power, faster working speed

Powerful swing torque and top-class swing speed deliver shorter cycle times.

Swing speed : **10 rpm**

Auto deceleration (option)



If the operating levers have been in neutral for more than 4 seconds, the engine will automatically drop back to idle, which lowers noise, emissions and fuel consumption.

Backlit liquid crystal monitor

The backlit liquid crystal monitor is standard. Operation information as well as the full range of machine status information can be readily checked.



LED warning indicators

Water temperature gauge

Clock

Hour meter

Fuel gauge

Menu switch

Function keys

Function key guidance

Default view

Main menu

Machine operation management view

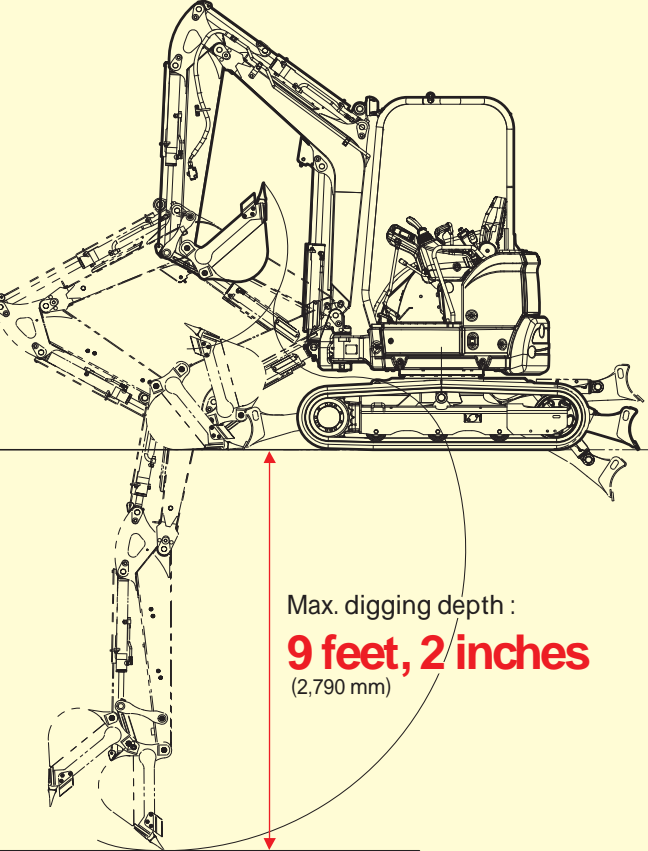
Maintenance view

Machine operating hours view

Language setting view

Digging depth at the top of its class

Digging depth of nine feet, two inches puts it at the top of its class.



Compact

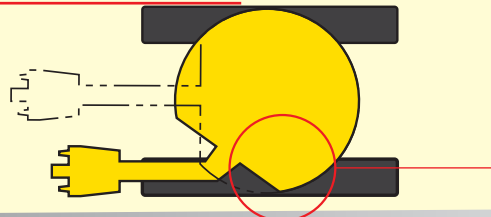


Zero tail swing and excellent side digging along walls

During a right boom swing, the left front frame does not extend past the crawler shoes, so you can smoothly dig along walls.

Body does not extend past crawler shoes.

Tail overhang: **0 inches**

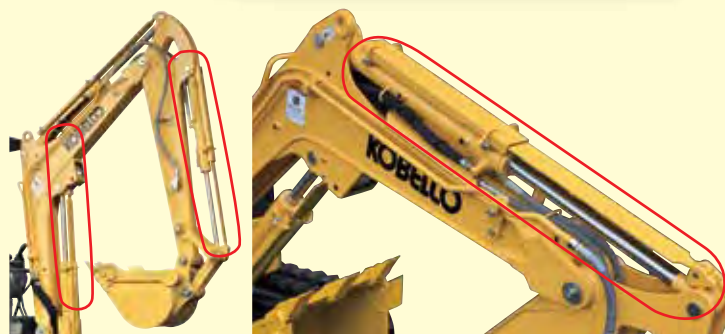
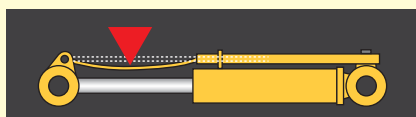


Front overhang: **0 inches** (During right boom swing)

Durability

Superior durability

The spring steel cylinder rod guard is standard for the bucket, boom and arm cylinder. The use of spring steel not only protects the cylinder rod, but gives resiliency to the guard itself.



Boom light

Work light is set under the boom to minimize potential damage during operation.



Blade cutting edge

Back II dozer blade has wear-resistant cutting edge.



Smaller front minimum swing radius

The front minimum swing radius is a short 5 feet, 5 inches at full boom swing that allows for digging, swinging, and loading even in tight spots.

Min. swing radius : **5 feet, 5 inches (1,680 mm)** (at right full boom swing)



Comfort



Operator's manual storage



The operator's manual storage is located on the back side of the operator's seat.

Wrist rest



Wrist rests are attached to each control lever box to ensure comfortable operation.

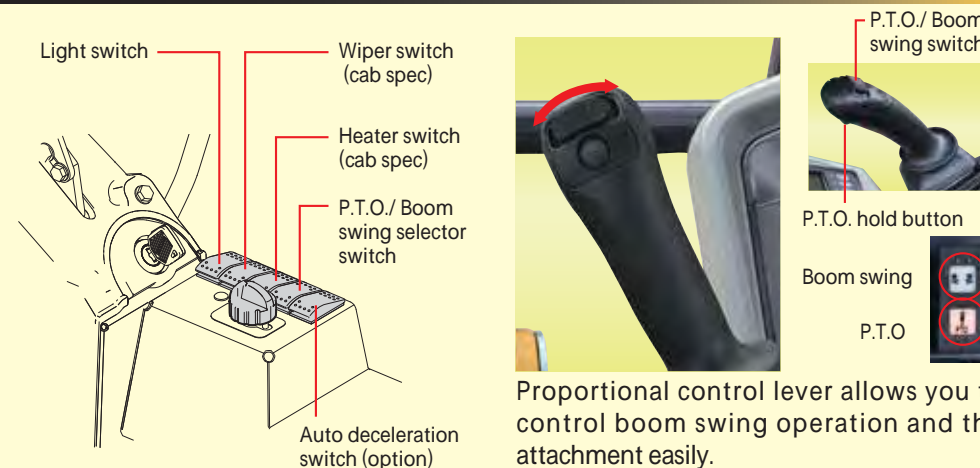
Comfortable reclining seat



Seat can be adjusted to match the operator's size and posture.

Levers and switches concentrated on the right side of the operator

Centralized switches in a convenient position to allow for simple, convenient operation.



Proportional control lever allows you to control boom swing operation and the attachment easily.

Full-Size Performance, Short-radius Agility and Quiet Operation

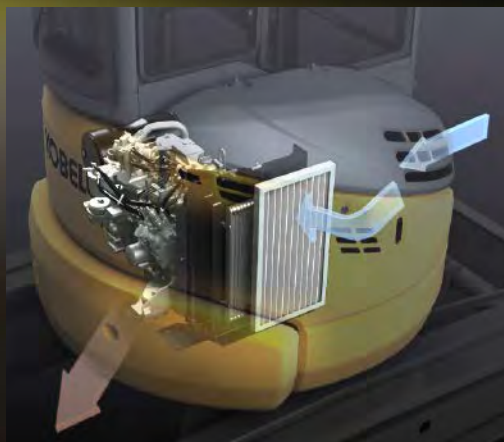
COMPACT YET TOUGH MINI

The new KOBELCO SK30SR / SK35SR expands the horizons of mini excavators, and offers practical performance features while maintaining a short tail swing. The new Energy Conservation Mode saves even more fuel, and Kobelco's proprietary iNDr Cooling System ensures quiet operation, protection from dust, and easy maintenance. For greater operator comfort and safety, the rectangular cab design offers plenty of room and an unobstructed view. It all adds up to enhanced full-size performance, short-radius agility and a low-noise environment, with exceptional performance features and a full range of value-added functions.



iNDr

The highly airtight engine compartment and the offset duct contribute to noise reduction. The iNDr filter fitted in front of the cooling system ensures easy cleaning. The SK30SR and SK35SR is an advanced machine which incorporates the iNDr.



RELIABILITY

Reliable Construction

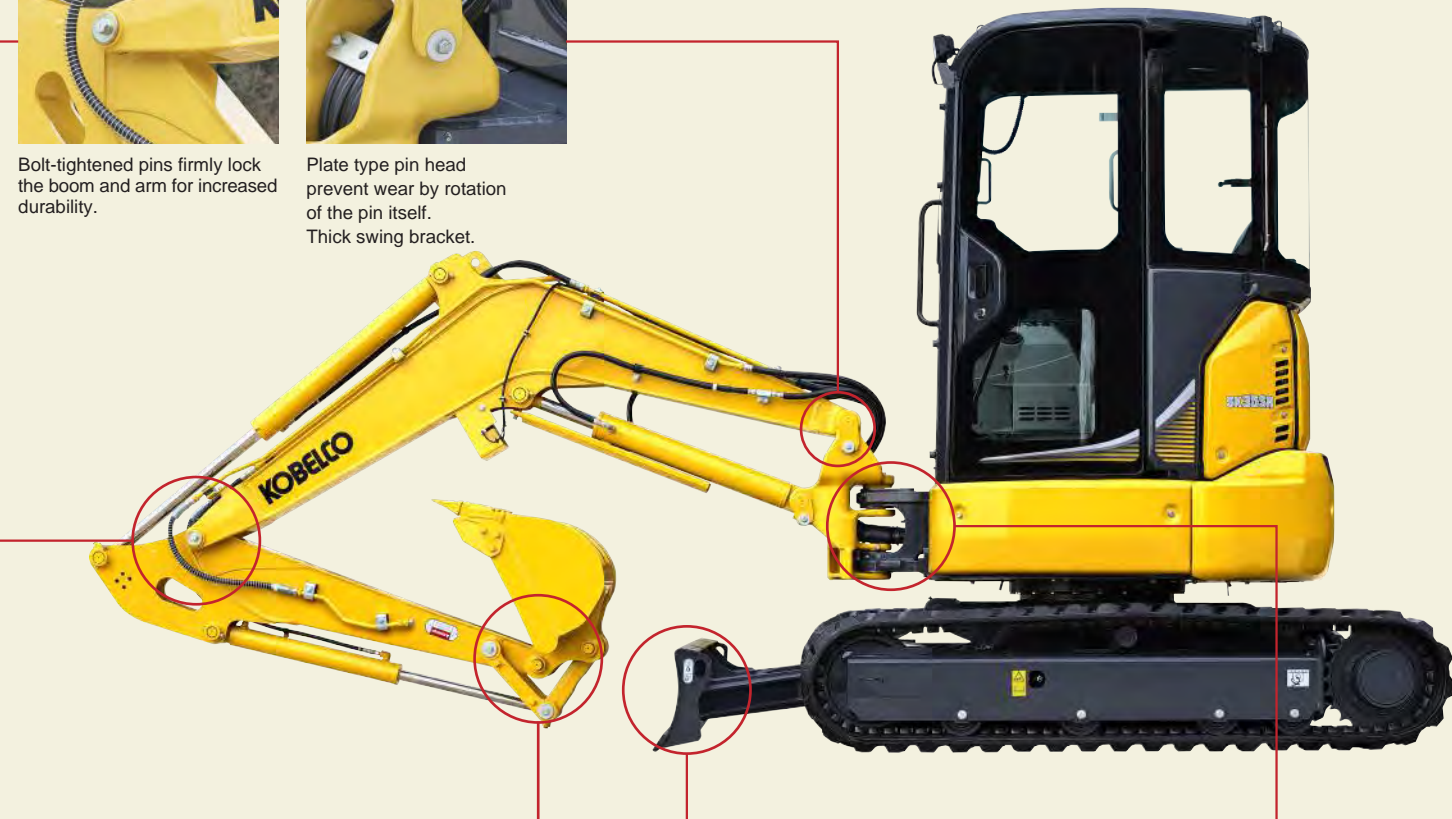
The boom, arm, and swing bracket all have large cross-section designs for added attachment strength.

Strong boom and arm



Bolt-tightened pins firmly lock the boom and arm for increased durability.

Plate type pin head prevent wear by rotation of the pin itself. Thick swing bracket.



Bucket

Cast-iron idler links provide greater strength.



Dozer

Box construction dozer supports provide greater strength.



Swing bracket

Large, thick cast-iron swing bracket/front bracket.



Hydraulic piping

The hydraulic piping is housed inside the swing bracket for protection.

Accumulator for Emergency Attachment Lowering

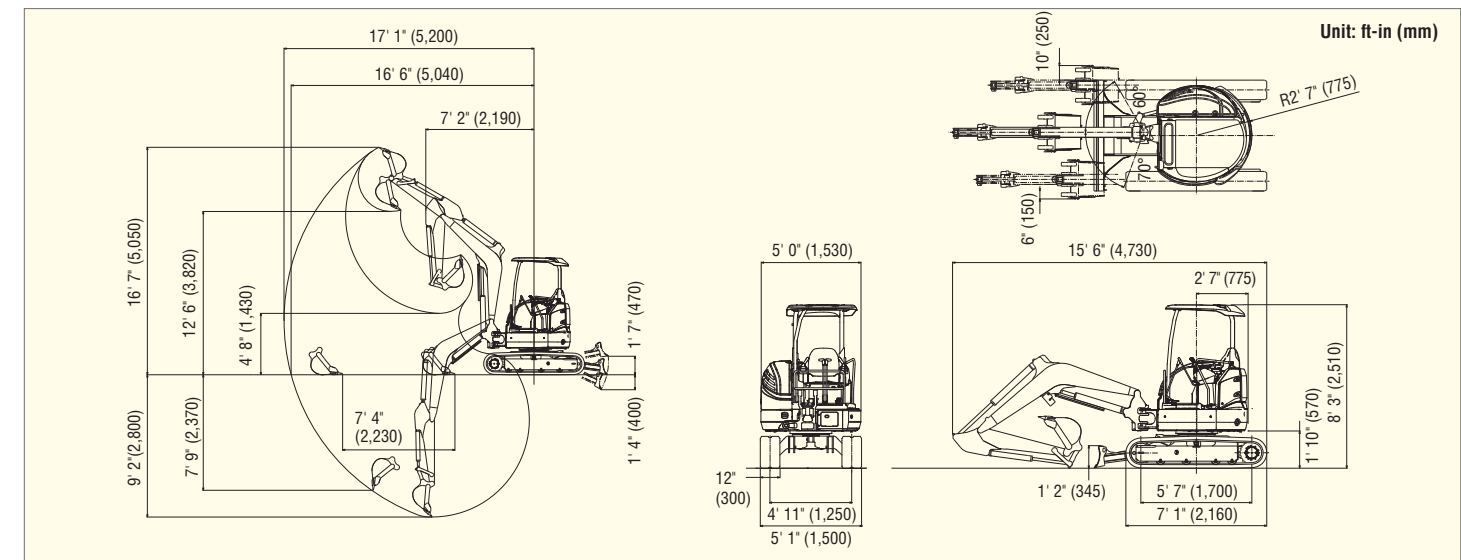
A newly installed accumulator allows the attachment to be safely lowered to the ground using in-cab controls in the event of an unexpected engine shut-down.

SK30SR SPECIFICATIONS

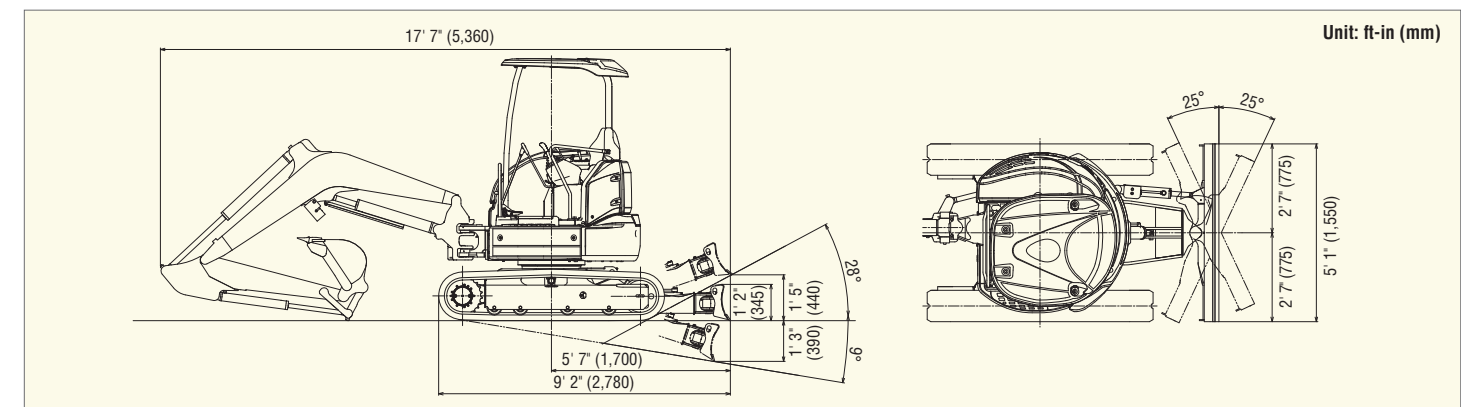
| GENERAL | | | |
|--|------------------|--|---------------|
| MODEL | | SK30SR | |
| Type | | SK30SR-6E | |
| Machine Mass | Canopy | lbs (kg) | 7,320 (3,320) |
| Bucket Capacity | | cu ft (m ³) | 3.18 (0.09) |
| Bucket Width (with side cutter) | | ft-in (mm) | 1' 8" (500) |
| Arm Length | | ft-in (m) | 4' 4" (1.32) |
| Bucket Digging Force (SAE J1179) | | lbf (kN) | 5,420 (24.1) |
| Bucket Digging Force (ISO 7451) | | lbf (kN) | 6,230 (27.7) |
| Arm Crowding Force (SAE J1179) | | lbf (kN) | 4,090 (18.2) |
| Arm Crowding Force (ISO 7451) | | lbf (kN) | 4,290 (19.1) |
| ENGINE | | | |
| Model | | YANMAR 3TNV88F-E | |
| Type | | Water cooled, 4-cycle, 3-cylinder, direct injection, diesel engine | |
| Power Output | hp (kW)/rpm | 23 (17.2)/2,400 (SAE NET) | |
| Max. Torque | lbf-ft (N-m)/rpm | 60 (81.7)/1,440 | |
| Displacement | cu in (L) | 100 (1,642) | |
| Fuel Tank | U. S. gal (L) | 11.1 (42) | |
| HYDRAULIC SYSTEM | | | |
| Pump | | Two variable displacement pumps + one gear pump | |
| Max. Discharge Flow | US gal (L)/min | 2 x 10 (38.4) | |
| Relief Valve Setting (Excavating circuits) | psi (Mpa) | 3,335 (23.0) | |
| Relief Valve Setting (Dozer circuit) | psi (Mpa) | 3,335 (23.0) | |
| Hydraulic Oil Tank (system) | US gal (L) | 5.4 (20.4) (11.8 (44.8)) | |
| TRAVEL SYSTEM | | | |
| Travel Motors | | 2 x axial-piston, two-step motors | |
| Parking Brake | | Oil disc brake per motor | |
| Travel Speed (high/low) | mph (km/h) | 2.7 (4.4) / 1.6 (2.5) | |
| Drawbar Pulling Force (SAE) | Canopy | lbf (kN) | 8,630 (38.4) |

| CRAWLER | | | | |
|-------------------------------|--------------------|--|-----------------------------|---------------|
| Shoe Width | | in (mm) | 11.8" (300) | |
| Ground Pressure | Canopy | Rubber | psi (kPa) | 4.2 (28.9) |
| | | Steel | psi (kPa) | 4.3 (29.8) |
| DOZER BLADE | | | | |
| Width x Height | | ft-in (mm) | 5' 1" (1,550) x 1' 2" (345) | |
| Working Ranges (height/depth) | | ft-in (mm) | 1' 7" (470) / 1' 4" (400) | |
| SWING SYSTEM | | | | |
| Swing Motor | | Axial piston motor | | |
| Parking Brake | | Oil disc brake, hydraulic operated automatically | | |
| Swing Speed | | min ⁻¹ (rpm) | 8.4 | |
| Tail Swing Radius | | ft-in (mm) | 2' 7" (775) | |
| Min. Front | Over the front | Canopy | ft-in (mm) | 7' 7" (2,300) |
| Swing Radius | At full boom swing | Canopy | ft-in (mm) | 7' 7" (2,300) |
| SIDE DIGGING MECHANISM | | | | |
| Type | | Boom swing | | |
| Offset Angle | To the left | degree | 70 | |
| | To the right | degree | 60 | |
| HYDRAULIC P. T. O | | | | |
| Specification | Output | PSI(Mpa) | US gal(L/min) | |
| | | | 2,000 rpm | 1,000 rpm |
| N&B | | 3,335(23.0) | 12.7(48.0) | 6.3(24.0) |
| Rotary | | 3,335(23.0) | 4.2(16.0) | 2.1(8.0) |

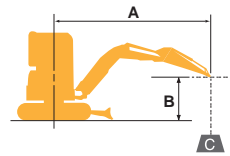
SK30SR WORKING RANGES & DIMENSIONS



SK30SR 4-WAY BLADE 4' 4" (1.32m) Arm



LIFTING CAPACITIES



Rating over front



Rating over side or 360 degrees

A: Reach from swing centerline to arm tip
 B: Arm tip height above/below ground
 C: lifting capacities in pounds
 Shoe: Rubber shoe Dozer blade: Down
 Relief valve setting: 3,335 psi (23 MPa)

| SK35SR Cab | | Arm: 5' 6" (1.67m), Without bucket, Shoe: 11.8" (300mm) Heavy Counterweight (+551lb/250kg) | | | | | | | | | | | | |
|-------------------|------------|--|---------------------------------|-------------------|---------------------------------|-------------------|---------------------------------|-------------------|---------------------------------|-------------------|---------------------------------|-------------------|---------------------------------|--------------------|
| B | A | 5'(1.5m) | | 7.5'(2.3m) | | 10'(3.0m) | | 12.5'(3.8m) | | 15'(4.6m) | | At Max. Reach | | Radius |
| | | Rating over front | Rating over side or 360 degrees | Rating over front | Rating over side or 360 degrees | Rating over front | Rating over side or 360 degrees | Rating over front | Rating over side or 360 degrees | Rating over front | Rating over side or 360 degrees | Rating over front | Rating over side or 360 degrees | |
| 12.5' (3.8 m) | lb (kg) | | | | | | | *1,560 (700) | *1,560 (700) | | | *1,610 (730) | 1,490 (670) | 12'10" (3.92 m) |
| 10' | lb (kg) | | | | | | | *1,490 (670) | *1,490 (670) | | | *1,550 (700) | 1,210 (540) | 14'7" (4.45 m) |
| 7.5' | lb (kg) | | | | | | | *1,650 (740) | 1,540 (690) | *1,620 (730) | 1,150 (520) | *1,520 (680) | 1,080 (480) | 15'7" (4.76 m) |
| 5' | lb (kg) | | | *3,460 (1,560) | 3,190 (1,440) | *2,340 (1,060) | 2,060 (930) | *1,920 (870) | 1,480 (670) | *1,720 (780) | 1,130 (510) | *1,550 (700) | 1,010 (450) | 16'1" (4.90 m) |
| 2.5' | lb (kg) | | | *4,860 (2,200) | 2,960 (1,340) | *2,940 (1,330) | 1,960 (880) | *2,210 (1,000) | 1,430 (640) | *1,840 (830) | 1,100 (490) | *1,640 (740) | 1,000 (450) | 16'1" (4.90 m) |
| Ground Level | lb (kg) | *2,350 (1,060) | *2,350 (1,060) | *5,250 (2,380) | 2,880 (1,300) | *3,280 (1,480) | 1,890 (850) | *2,400 (1,080) | 1,390 (630) | *1,900 (860) | 1,090 (490) | *1,800 (810) | 1,030 (460) | 15'7" (4.75 m) |
| -2.5' (-0.8 m) | lb (kg) | *4,150 (1,880) | *4,150 (1,880) | *5,060 (2,290) | 2,870 (1,300) | *3,310 (1,500) | 1,870 (840) | *2,400 (1,080) | 1,380 (620) | | | *1,870 (840) | 1,130 (510) | 14'6" (4.44 m) |
| -5' (-1.5 m) | lb (kg) | *6,400 (2,900) | 6,060 (2,740) | *4,400 (1,990) | 2,900 (1,310) | *2,960 (1,340) | 1,890 (850) | *2,050 (920) | 1,400 (630) | | | *1,930 (870) | 1,360 (610) | 12'9" (3.90 m) |
| -7.5' (-2.3 m) | lb (kg) | *5,020 (2,270) | *5,020 (2,270) | *2,950 (1,330) | *2,950 (1,330) | | | | | | | *1,880 (850) | *1,880 (850) | 9'9" (2.98 m) |

| SK35SR Canopy | | Arm: 5' 6" (1.67m), Without bucket, Shoe: 11.8" (300mm) Heavy Counterweight (+551lb/250kg) | | | | | | | | | | | | |
|-------------------|------------|--|---------------------------------|-------------------|---------------------------------|-------------------|---------------------------------|-------------------|---------------------------------|-------------------|---------------------------------|-------------------|---------------------------------|--------------------|
| B | A | 5'(1.5m) | | 7.5'(2.3m) | | 10'(3.0m) | | 12.5'(3.8m) | | 15'(4.6m) | | At Max. Reach | | Radius |
| | | Rating over front | Rating over side or 360 degrees | Rating over front | Rating over side or 360 degrees | Rating over front | Rating over side or 360 degrees | Rating over front | Rating over side or 360 degrees | Rating over front | Rating over side or 360 degrees | Rating over front | Rating over side or 360 degrees | |
| 12.5' (3.8 m) | lb (kg) | | | | | | | *1,560 (700) | 1,510 (680) | | | *1,610 (730) | 1,440 (650) | 12'10" (3.92 m) |
| 10' | lb (kg) | | | | | | | *1,490 (670) | *1,490 (670) | | | *1,550 (700) | 1,170 (530) | 14'7" (4.45 m) |
| 7.5' | lb (kg) | | | | | | | *1,650 (740) | 1,480 (670) | *1,620 (730) | 1,110 (500) | *1,520 (680) | 1,030 (460) | 15'7" (4.76 m) |
| 5' | lb (kg) | | | *3,460 (1,560) | 3,080 (1,390) | *2,340 (1,060) | 1,990 (900) | *1,920 (870) | 1,430 (640) | *1,720 (780) | 1,090 (490) | *1,550 (700) | 970 (430) | 16'1" (4.90 m) |
| 2.5' | lb (kg) | | | *4,860 (2,200) | 2,850 (1,290) | *2,940 (1,330) | 1,880 (850) | *2,210 (1,000) | 1,380 (620) | *1,840 (830) | 1,060 (480) | *1,640 (740) | 960 (430) | 16'1" (4.90 m) |
| Ground Level | lb (kg) | *2,350 (1,060) | *2,350 (1,060) | *5,250 (2,380) | 2,770 (1,250) | *3,280 (1,480) | 1,820 (820) | *2,400 (1,080) | 1,340 (600) | *1,900 (860) | 1,040 (470) | *1,800 (810) | 990 (440) | 15'7" (4.75 m) |
| -2.5' (-0.8 m) | lb (kg) | *4,150 (1,880) | *4,150 (1,880) | *5,060 (2,290) | 2,760 (1,250) | *3,310 (1,500) | 1,800 (810) | *2,400 (1,080) | 1,320 (590) | | | *1,870 (840) | 1,080 (480) | 14'6" (4.44 m) |
| -5' (-1.5 m) | lb (kg) | *6,400 (2,900) | 5,840 (2,640) | *4,400 (1,990) | 2,790 (1,260) | *2,960 (1,340) | 1,810 (820) | *2,050 (920) | 1,340 (600) | | | *1,930 (870) | 1,300 (580) | 12'9" (3.90 m) |
| -7.5' (-2.3 m) | lb (kg) | *5,020 (2,270) | *5,020 (2,270) | *2,950 (1,330) | 2,880 (1,300) | | | | | | | *1,880 (850) | *1,880 (850) | 9'9" (2.98 m) |

Notes:

- Do not attempt to lift or hold any load that is greater than these lift capacities at their specified lift point radius and heights. Weight of all accessories must be deducted from the above lift capacities.
- Lift capacities are based on machine standing on level, firm, and uniform ground. User must make allowance for job conditions such as soft or uneven ground, out of level conditions, side loads, sudden stopping of loads, hazardous conditions, experience of personnel, etc.
- Arm tip defined as lift point.
- The above lifting capacities are in compliance with ISO 10567. They do not exceed 87% of hydraulic lifting capacity or 75% of tipping load. Lifting capacities marked with an asterisk (*) are limited by hydraulic capacity rather than tipping load. The excavator bucket weight is not included on this chart. Lifting capacities are for standard arm.
- Operator should be fully acquainted with the Operator's and Maintenance Instructions before operating this machine. Rules for safe operation of equipment should be adhered to at all times.
- Lift capacities apply to only machine as originally manufactured and normally equipped by KOBELCO CONSTRUCTION MACHINERY CO., LTD.



Sound Heavy Machinery
1809 Blue Clay Road
Wilmington, NC 28405
(910) 782 - 2477

Full-Size Performance, Short-radius Agility and Quiet Operation

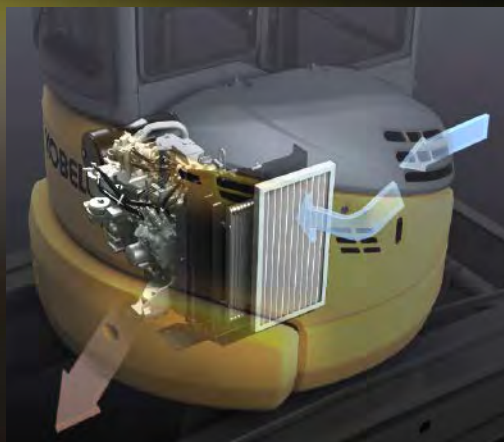
COMPACT YET TOUGH MINI

The new KOBELCO SK30SR / SK35SR expands the horizons of mini excavators, and offers practical performance features while maintaining a short tail swing. The new Energy Conservation Mode saves even more fuel, and Kobelco's proprietary iNDr Cooling System ensures quiet operation, protection from dust, and easy maintenance. For greater operator comfort and safety, the rectangular cab design offers plenty of room and an unobstructed view. It all adds up to enhanced full-size performance, short-radius agility and a low-noise environment, with exceptional performance features and a full range of value-added functions.



iNDr

The highly airtight engine compartment and the offset duct contribute to noise reduction. The iNDr filter fitted in front of the cooling system ensures easy cleaning. The SK30SR and SK35SR is an advanced machine which incorporates the iNDr.



RELIABILITY

Reliable Construction

The boom, arm, and swing bracket all have large cross-section designs for added attachment strength.

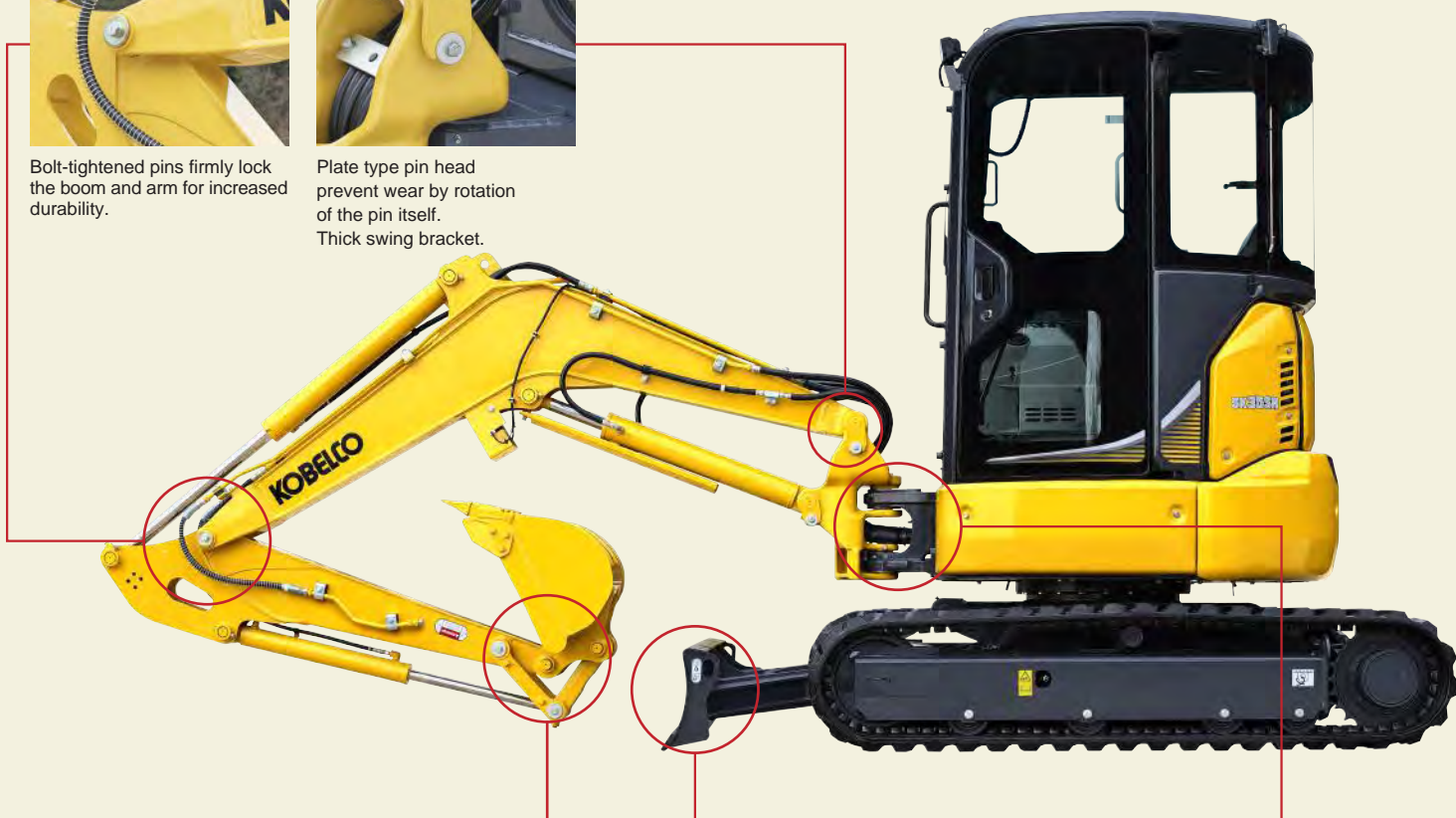
Strong boom and arm



Bolt-tightened pins firmly lock the boom and arm for increased durability.



Plate type pin head prevent wear by rotation of the pin itself. Thick swing bracket.



Bucket

Cast-iron idler links provide greater strength.



Dozer

Box construction dozer supports provide greater strength.



Swing bracket

Large, thick cast-iron swing bracket/front bracket.



Hydraulic piping

The hydraulic piping is housed inside the swing bracket for protection.

Accumulator for Emergency Attachment Lowering

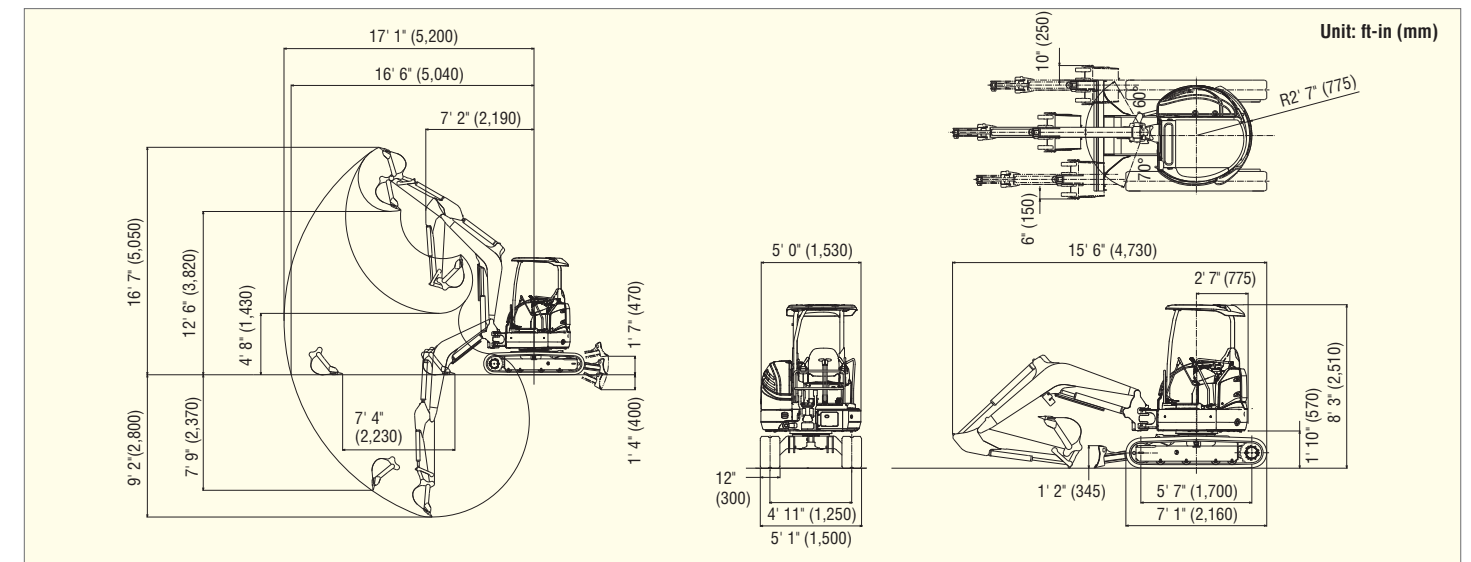
A newly installed accumulator allows the attachment to be safely lowered to the ground using in-cab controls in the event of an unexpected engine shut-down.

SK30SR SPECIFICATIONS

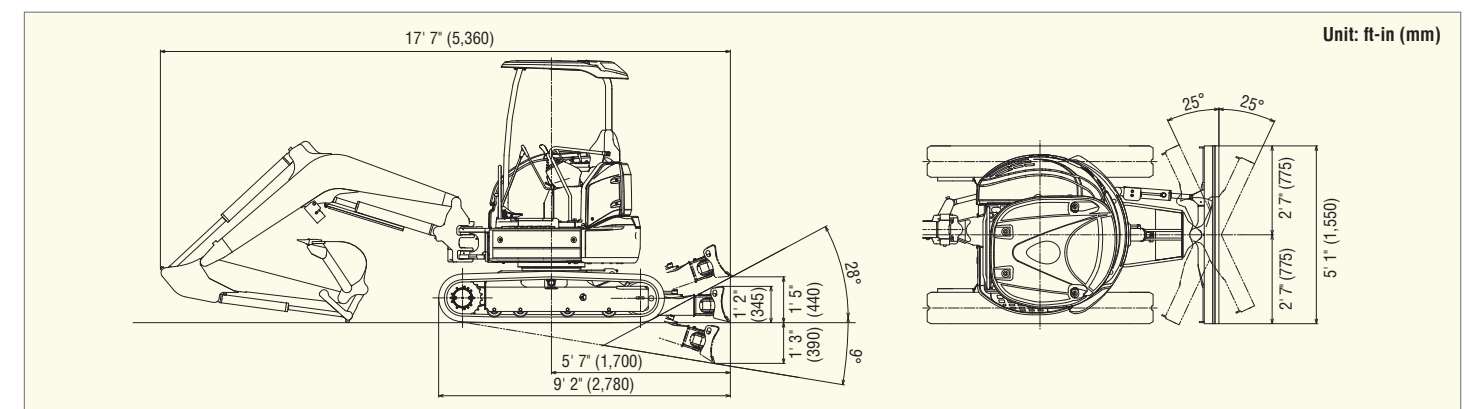
| GENERAL | | | |
|--|--|---|---------------|
| MODEL | | SK30SR | |
| Type | SK30SR-6E | | |
| Machine Mass | Canopy | lbs (kg) | 7,320 (3,320) |
| Bucket Capacity | cu ft (m³) | | 3.18 (0.09) |
| Bucket Width (with side cutter) | ft-in (mm) | | 1' 8" (500) |
| Arm Length | ft-in (m) | | 4' 4" (1.32) |
| Bucket Digging Force (SAE J1179) | lbf (kN) | | 5,420 (24.1) |
| Bucket Digging Force (ISO 7451) | lbf (kN) | | 6,230 (27.7) |
| Arm Crowding Force (SAE J1179) | lbf (kN) | | 4,090 (18.2) |
| Arm Crowding Force (ISO 7451) | lbf (kN) | | 4,290 (19.1) |
| ENGINE | | | |
| Model | | YANMAR 3TNV88F-E | |
| Type | Water cooled, 4-cycle, 3-cylinder, direct injection, diesel engine | | |
| Power Output | hp (kW)/rpm | 23 (17.2)/2,400 (SAE NET) | |
| Max. Torque | lbf-ft (N-m)/rpm | 60 (81.7)/1,440 | |
| Displacement | cu in (L) | | 100 (1,642) |
| Fuel Tank | U. S. gal (L) | | 11.1 (42) |
| HYDRAULIC SYSTEM | | | |
| Pump | | Two variable displacement pumps + one gear pump | |
| Max. Discharge Flow | US gal (L)/min | 2 x 10 (38.4) | |
| Relief Valve Setting (Excavating circuits) | psi (Mpa) | 3,335 (23.0) | |
| Relief Valve Setting (Dozer circuit) | psi (Mpa) | 3,335 (23.0) | |
| Hydraulic Oil Tank (system) | US gal (L) | 5.4 (20.4) (11.8 (44.8)) | |
| TRAVEL SYSTEM | | | |
| Travel Motors | | 2 x axial-piston, two-step motors | |
| Parking Brake | | Oil disc brake per motor | |
| Travel Speed (high/low) | mph (km/h) | 2.7 (4.4) / 1.6 (2.5) | |
| Drawbar Pulling Force (SAE) | Canopy | lbf (kN) | 8,630 (38.4) |

| CRAWLER | | | | |
|-------------------------------|-------------------------|--|-----------------------------|-------------|
| Shoe Width | | | in (mm) | 11.8" (300) |
| Ground Pressure | Canopy | Rubber | psi (kPa) | 4.2 (28.9) |
| | | Steel | psi (kPa) | 4.3 (29.8) |
| DOZER BLADE | | | | |
| Width x Height | ft-in (mm) | | 5' 1" (1,550) x 1' 2" (345) | |
| Working Ranges (height/depth) | ft-in (mm) | | 1' 7" (470) / 1' 4" (400) | |
| SWING SYSTEM | | | | |
| Swing Motor | | Axial piston motor | | |
| Parking Brake | | Oil disc brake, hydraulic operated automatically | | |
| Swing Speed | min ⁻¹ (rpm) | | 8.4 | |
| Tail Swing Radius | ft-in (mm) | | 2' 7" (775) | |
| Min. Front | Over the front | Canopy | ft-in (mm) | |
| | | | 7' 7" (2,300) | |
| Swing Radius | At full boom swing | Canopy | ft-in (mm) | |
| | | | 7' 7" (2,300) | |
| SIDE DIGGING MECHANISM | | | | |
| Type | | Boom swing | | |
| Offset Angle | To the left | degree | 70 | |
| | To the right | degree | 60 | |
| HYDRAULIC P. T. O | | | | |
| Specification | Output | PSI(Mpa) | US gal(L/min) | |
| | | | 2,000 rpm | 1,000 rpm |
| N&B | | 3,335(23.0) | 12.7(48.0) | 6.3(24.0) |
| Rotary | | 3,335(23.0) | 4.2(16.0) | 2.1(8.0) |

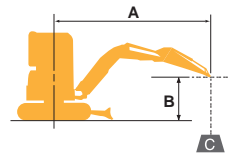
SK30SR WORKING RANGES & DIMENSIONS



SK30SR 4-WAY BLADE 4' 4" (1.32m) Arm



LIFTING CAPACITIES



Rating over front



Rating over side or 360 degrees

A: Reach from swing centerline to arm tip
 B: Arm tip height above/below ground
 C: lifting capacities in pounds
 Shoe: Rubber shoe Dozer blade: Down
 Relief valve setting: 3,335 psi (23 MPa)

| SK35SR Cab | | Arm: 5' 6" (1.67m), Without bucket, Shoe: 11.8" (300mm) Heavy Counterweight (+551lb/250kg) | | | | | | | | | | | | |
|-------------------|------------|--|-------------------|-------------------|-------------------|-------------------|----------------|-------------------|-----------------|-----------------|----------------|-----------------|-----------------|--------------------|
| A | | 5'(1.5m) | | 7.5'(2.3m) | | 10'(3.0m) | | 12.5'(3.8m) | | 15'(4.6m) | | At Max. Reach | | Radius |
| B | | | | | | | | | | | | | | |
| 12.5' (3.8 m) | lb (kg) | | | | | | | *1,560 (700) | *1,560 (700) | | | *1,610 (730) | 1,490 (670) | 12'10" (3.92 m) |
| 10' (3.0 m) | lb (kg) | | | | | | | *1,490 (670) | *1,490 (670) | | | *1,550 (700) | 1,210 (540) | 14'7" (4.45 m) |
| 7.5' (2.3 m) | lb (kg) | | | | | | | *1,650 (740) | 1,540 (690) | *1,620 (730) | 1,150 (520) | *1,520 (680) | 1,080 (480) | 15'7" (4.76 m) |
| 5' (1.5 m) | lb (kg) | | | *3,460 (1,560) | 3,190 (1,440) | *2,340 (1,060) | 2,060 (930) | *1,920 (870) | 1,480 (670) | *1,720 (780) | 1,130 (510) | *1,550 (700) | 1,010 (450) | 16'1" (4.90 m) |
| 2.5' (0.8 m) | lb (kg) | | | *4,860 (2,200) | 2,960 (1,340) | *2,940 (1,330) | 1,960 (880) | *2,210 (1,000) | 1,430 (640) | *1,840 (830) | 1,100 (490) | *1,640 (740) | 1,000 (450) | 16'1" (4.90 m) |
| Ground Level | lb (kg) | *2,350 (1,060) | *2,350 (1,060) | *5,250 (2,380) | 2,880 (1,300) | *3,280 (1,480) | 1,890 (850) | *2,400 (1,080) | 1,390 (630) | *1,900 (860) | 1,090 (490) | *1,800 (810) | 1,030 (460) | 15'7" (4.75 m) |
| -2.5' (-0.8 m) | lb (kg) | *4,150 (1,880) | *4,150 (1,880) | *5,060 (2,290) | 2,870 (1,300) | *3,310 (1,500) | 1,870 (840) | *2,400 (1,080) | 1,380 (620) | | | *1,870 (840) | 1,130 (510) | 14'6" (4.44 m) |
| -5' (-1.5 m) | lb (kg) | *6,400 (2,900) | 6,060 (2,740) | *4,400 (1,990) | 2,900 (1,310) | *2,960 (1,340) | 1,890 (850) | *2,050 (920) | 1,400 (630) | | | *1,930 (870) | 1,360 (610) | 12'9" (3.90 m) |
| -7.5' (-2.3 m) | lb (kg) | *5,020 (2,270) | *5,020 (2,270) | *2,950 (1,330) | *2,950 (1,330) | | | | | | | *1,880 (850) | *1,880 (850) | 9'9" (2.98 m) |

| SK35SR Canopy | | Arm: 5' 6" (1.67m), Without bucket, Shoe: 11.8" (300mm) Heavy Counterweight (+551lb/250kg) | | | | | | | | | | | | |
|-------------------|------------|--|-------------------|-------------------|------------------|-------------------|----------------|-------------------|-----------------|-----------------|----------------|-----------------|-----------------|--------------------|
| A | | 5'(1.5m) | | 7.5'(2.3m) | | 10'(3.0m) | | 12.5'(3.8m) | | 15'(4.6m) | | At Max. Reach | | Radius |
| B | | | | | | | | | | | | | | |
| 12.5' (3.8 m) | lb (kg) | | | | | | | *1,560 (700) | 1,510 (680) | | | *1,610 (730) | 1,440 (650) | 12'10" (3.92 m) |
| 10' (3.0 m) | lb (kg) | | | | | | | *1,490 (670) | *1,490 (670) | | | *1,550 (700) | 1,170 (530) | 14'7" (4.45 m) |
| 7.5' (2.3 m) | lb (kg) | | | | | | | *1,650 (740) | 1,480 (670) | *1,620 (730) | 1,110 (500) | *1,520 (680) | 1,030 (460) | 15'7" (4.76 m) |
| 5' (1.5 m) | lb (kg) | | | *3,460 (1,560) | 3,080 (1,390) | *2,340 (1,060) | 1,990 (900) | *1,920 (870) | 1,430 (640) | *1,720 (780) | 1,090 (490) | *1,550 (700) | 970 (430) | 16'1" (4.90 m) |
| 2.5' (0.8 m) | lb (kg) | | | *4,860 (2,200) | 2,850 (1,290) | *2,940 (1,330) | 1,880 (850) | *2,210 (1,000) | 1,380 (620) | *1,840 (830) | 1,060 (480) | *1,640 (740) | 960 (430) | 16'1" (4.90 m) |
| Ground Level | lb (kg) | *2,350 (1,060) | *2,350 (1,060) | *5,250 (2,380) | 2,770 (1,250) | *3,280 (1,480) | 1,820 (820) | *2,400 (1,080) | 1,340 (600) | *1,900 (860) | 1,040 (470) | *1,800 (810) | 990 (440) | 15'7" (4.75 m) |
| -2.5' (-0.8 m) | lb (kg) | *4,150 (1,880) | *4,150 (1,880) | *5,060 (2,290) | 2,760 (1,250) | *3,310 (1,500) | 1,800 (810) | *2,400 (1,080) | 1,320 (590) | | | *1,870 (840) | 1,080 (480) | 14'6" (4.44 m) |
| -5' (-1.5 m) | lb (kg) | *6,400 (2,900) | 5,840 (2,640) | *4,400 (1,990) | 2,790 (1,260) | *2,960 (1,340) | 1,810 (820) | *2,050 (920) | 1,340 (600) | | | *1,930 (870) | 1,300 (580) | 12'9" (3.90 m) |
| -7.5' (-2.3 m) | lb (kg) | *5,020 (2,270) | *5,020 (2,270) | *2,950 (1,330) | 2,880 (1,300) | | | | | | | *1,880 (850) | *1,880 (850) | 9'9" (2.98 m) |

Notes:

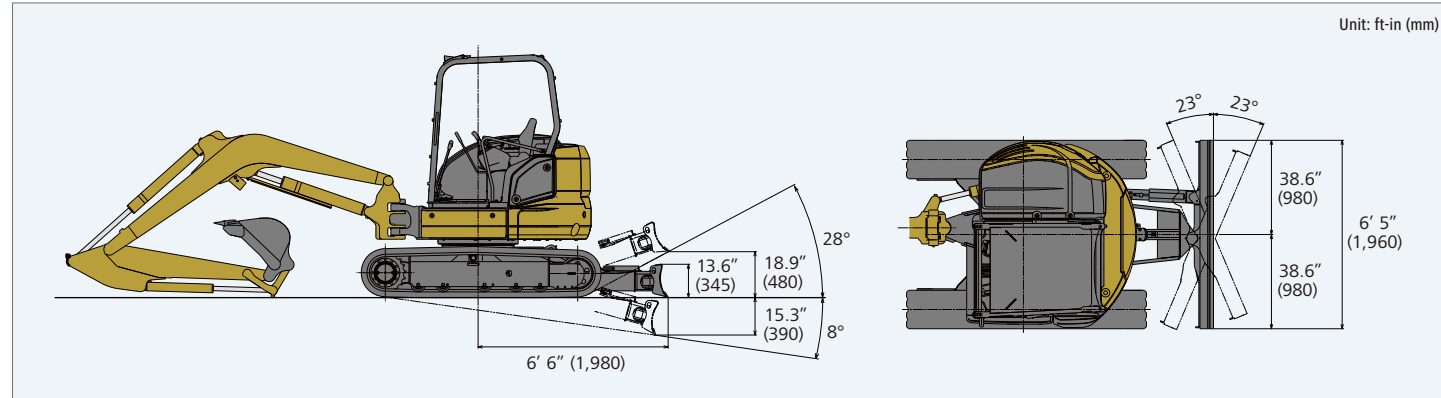
- Do not attempt to lift or hold any load that is greater than these lift capacities at their specified lift point radius and heights. Weight of all accessories must be deducted from the above lift capacities.
- Lift capacities are based on machine standing on level, firm, and uniform ground. User must make allowance for job conditions such as soft or uneven ground, out of level conditions, side loads, sudden stopping of loads, hazardous conditions, experience of personnel, etc.
- Arm tip defined as lift point.
- The above lifting capacities are in compliance with ISO 10567. They do not exceed 87% of hydraulic lifting capacity or 75% of tipping load. Lifting capacities marked with an asterisk (*) are limited by hydraulic capacity rather than tipping load. The excavator bucket weight is not included on this chart. Lifting capacities are for standard arm.
- Operator should be fully acquainted with the Operator's and Maintenance Instructions before operating this machine. Rules for safe operation of equipment should be adhered to at all times.
- Lift capacities apply to only machine as originally manufactured and normally equipped by KOBELCO CONSTRUCTION MACHINERY CO., LTD.



Sound Heavy Machinery
 1809 Blue Clay Road
 Wilmington, NC 28405
 (910) 782 - 2477

SK45SRX SK45SRX-7
SK55SRX SK55SRX-7

4-Way Blade (SK45SRX/SK55SRX)



KOBELCO

Hydraulic Excavator

SK45SRX SK45SRX-7
SK55SRX SK55SRX-7

Performance **X** Design

■ **Bucket Capacity:**
0.10–0.20 cu.yd. SAE

■ **Engine Power:**
37.0 hp {27.7 kW} @ 2,400 rpm
(SAE NET)

■ **Operating Weight:**

10,295–10,648 lb
{4,670–4,830 kg} SK45SRX

11,817–12,147 lb
{5,360–5,510 kg} SK55SRX



Note: This catalog may contain attachments and optional equipment that are not available in your area. And it may contain photographs of machines with specifications that differ from those of machines sold in your areas. Please consult your nearest KOBELCO distributor for those items you require. Due to our policy of continuous product improvements all designs and specifications are subject to change without advance notice.
 Copyright by **KOBELCO CONSTRUCTION MACHINERY CO., LTD.** No part of this catalog may be reproduced in any manner without notice.

KOBELCO CONSTRUCTION MACHINERY U.S.A. INC.

22350 Merchants Way, Katy, TX 77449
 Tel: 281-888-8430 Fax: 281-506-8713
 www.KOBELCO-USA.com

Inquiries To:



Sound Heavy Machinery
 1809 Blue Clay Road
 Wilmington, NC 28405
 (910) 782 - 2477

Bulletin No. SK45SRX/55SRX-7-NA-101-21120000N

KOBELCO is the corporate mark used by Kobe Steel on a variety of products and in the names of a number of Kobe Steel Group companies.

DRIVEN BY PASSION

Complies with the latest exhaust emission regulations



COMPACT, YET, BIG PERFORMANCE

Compact Boom Swing Radius
(SK55SRX with Standard Arm)

6'1" {1,850 mm}

*SK45SRX is 5' 11" {1,810 mm}.



Short Tail Swing

Additional counterweight is equipped as standard for SK55SRX.

Tail Overhang:

7.0" {190 mm}

SK45SRX with standard counterweight

11.0" {290 mm}

SK55SRX with additional counterweight as standard

19' 2" {5,970 mm} (SK45SRX)

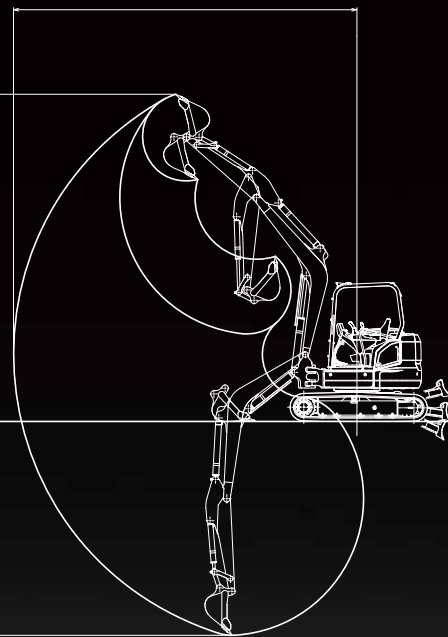
20' 6" {6,240 mm} (SK55SRX)

18' 7" {5,660 mm} (SK45SRX)

19' 6" {5,950 mm} (SK55SRX)

11' 3" {3,440 mm} (SK45SRX)

12' 9" {3,890 mm} (SK55SRX)



Wide Working Range

Long arms are provided as option equipment to ensure a wide working range.

VERSATILITY



Dozer Lever

The new ergonomic dozer lever has float integrated into the handle for easier dozer functions.

Dozer-Blade Shape

KOBELCO's unique blade design forms the earth into an arc that always falls forward. Because this prevents earth from falling behind the blade, leveling can be done with less passes.



Floating Dozer

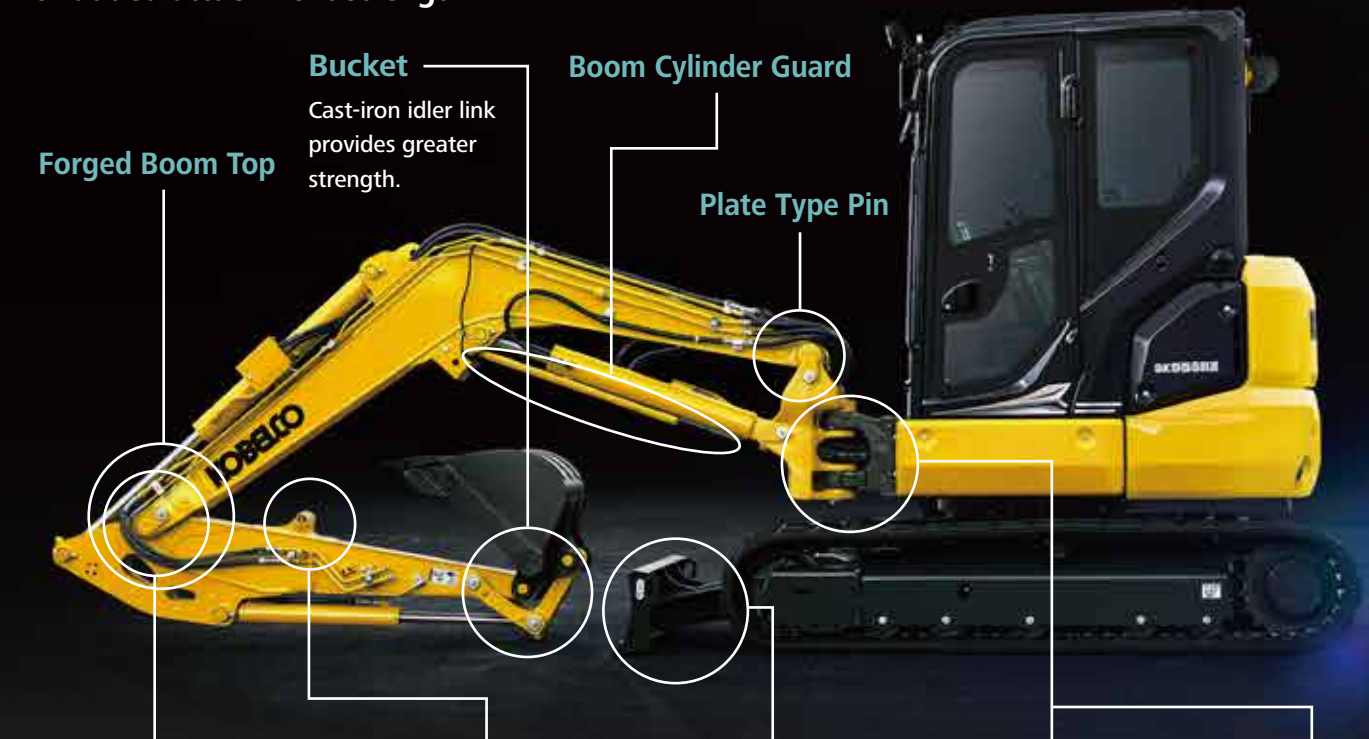
Dozer float is standard to assist in easier leveling work.



4-Way Blade (optional)

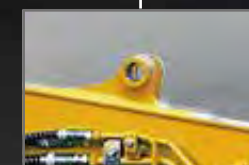
RELIABLE CONSTRUCTION

The boom, arm and swing bracket all have large cross-section segments for added attachment strength.



Bolt-Tightened Pins

Bolt-tightened pins firmly lock the boom to prevent the boom top from opening laterally.



Standard Thumb Mounting Bracket



Dozer

Reinforced dozer supports provide greater strength.



Swing Bracket

Large, thick cast-iron swing bracket/front bracket.



Hydraulic Hosing

The hydraulic hosing is housed inside the swing bracket for protection.

OPERATOR SAFETY

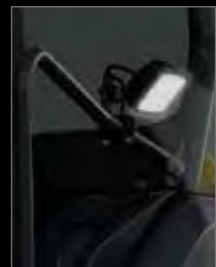


Robust Cab/Canopy Structure

The high-strength cab/canopy meets ISO 3471:2008, ISO 12117-2:2008 standards for greater operator safety.



Boom Light



Left-Facing LED Light (Canopy)



Forward and Left-Facing LED Light (Cab)



ON/OFF Switch

LED Work Lights

Changed from halogen light to LED light for more brightness. The boom light position has been changed to improve nighttime visibility.

New left-facing lights on the cab top and canopy hand rail to improve visibility on the left side of the operator.



Good Visibility

The wiper mount has been moved to the upper right of the cab support and the skylight opening has been enlarged, improving visibility to the front and above.



Rear View Mirror



Rear Under Mirror (optional)



Hammer for Emergency Exit



Accumulator for Emergency Attachment Lowering

An installed accumulator allows the attachment to be safely lowered to the ground using in-cab controls in the event of an unexpected engine shut-down and class leading smooth operation.

Standard and Optional Equipment

●=Std ○=Opt — = N/A

| Category | Description | SK45SRX-7 | SK55SRX-7 |
|--|--|-----------|-----------|
| Engine | YANMAR 4TNV88C-PYBD (Tier IV Final certified) | ● | ● |
| | Auto deceleration function | ● | ● |
| Hydraulic system | 2 work modes H, S | ● | ● |
| | Proportional Hand Control for N&B | ● | ● |
| | Proportional Hand Control for Rotation & N&B* | ○ | ○ |
| | Remote N&B pressure relief adjustment | ● | ● |
| | Hydraulic flow adjustment | ● | ● |
| | Hydraulic oil VG46 | ● | ● |
| | Hydraulic oil VG32 | ○ | ○ |
| Cabin | Suspension seat (PVC) | ● | ● |
| | Multi-function color display | ● | ● |
| | Automatic climate control** | ● | ● |
| | Radio (FM/AM, AUX, USB, Bluetooth® & hands-free telephone)** | ● | ● |
| | 12V power outlet | ● | ● |
| Lights | LED work light: 1 on boom | ● | ● |
| | LED work lights: 1 on front, 1 on left | ● | ● |
| Working equipment | Standard boom 8' 11" {2.71 m} | ● | — |
| | Standard boom 9' 10" {2.99 m} | — | ● |
| | Standard arm 5' 1" {1.55 m} with thumb bracket | ● | — |
| | Standard arm 5' 7" {1.69 m} with thumb bracket | — | ● |
| | Long arm 6' 4" {1.92 m} with thumb bracket | — | ○ |
| Counterweight | Standard C/W 1,764 lb (800 kg) | ● | ● |
| | Additional bolt on counterweight 551 lb (250 kg) | — | ● |
| Undercarriage | 15.7" {400 mm} rubber tracks | ● | ● |
| | 15.7" {400 mm} double grouser shoe | ○ | ○ |
| | Dozer blade with float | ● | ● |
| | Angle dozer blade with float* | ○ | ○ |
| | Lower swivel guard | ● | ● |
| Safety | ROPS compliant canopy (ISO 3471:2008, ISO 12117-2:2008) | ● | ● |
| | ROPS compliant cab (ISO 3471:2008, ISO 12117-2:2008) | ○ | ○ |
| | Mesh-type front guard for canopy (OPG Level I) | ○ | ○ |
| | Mesh-type top guard for cab | ○ | ○ |
| | Mesh-type front guard for cab (OPG Level I) | ○ | ○ |
| | 3-inch retractable seatbelt | ● | ● |
| | Travel alarm | ● | ● |
| | Left rear view mirror | ● | ● |
| | Rear under mirror | ○ | ○ |
| Hose burst valve for boom & arm cylinder | ○ | ○ | |
| Others | ISO to BHL pattern changer | ● | ● |
| | Arm & bucket cylinder rod guard | ○ | ○ |
| | Double element | ○ | ○ |

*May not be ordered with combination Rotation and Angle dozer blade with float. ** Only for Cab.

Note: Bluetooth® is a registered trademark of the Bluetooth SIG Inc.